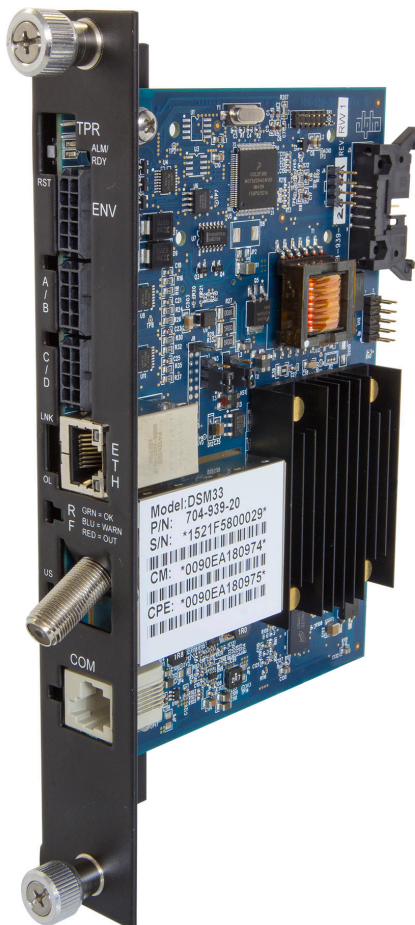


an EnerSys company

AlphaNet™ DM3X Series DOCSIS® Status Monitor for XM2 Technical Manual

Effective: June 2019



Safety Notes

Alpha considers customer safety and satisfaction its most important priority. To reduce the risk of injury or death and to ensure continual safe operation of this product, certain information is presented differently in this manual. Alpha tries to adhere to ANSI Z535 and encourages special attention and care to information presented in the following manner:



WARNING! GENERAL HAZARD

GENERAL HAZARD WARNING provides safety information to PREVENT INJURY OR DEATH to the technician or user.



WARNING! ELECTRICAL HAZARD

ELECTRICAL HAZARD WARNING provides electrical safety information to PREVENT INJURY OR DEATH to the technician or user.



WARNING! FUMES HAZARD

FUMES HAZARD WARNING provides fumes safety information to PREVENT INJURY OR DEATH to the technician or user.



WARNING! FIRE HAZARD

FIRE HAZARD WARNING provides flammability safety information to PREVENT INJURY OR DEATH to the technician or user.

There may be multiple warnings associated with the call out. Example:



WARNING! ELECTRICAL & FIRE HAZARD

This WARNING provides safety information for both Electrical AND Fire Hazards



CAUTION!

CAUTION provides safety information intended to PREVENT DAMAGE to material or equipment.



NOTICE:

NOTICE provides additional information to help complete a specific task or procedure.

ATTENTION:

ATTENTION provides specific regulatory/code requirements that may affect the placement of equipment and /or installation procedures.

The following sections contain important safety information that must be followed during the installation and maintenance of the equipment and batteries. Read all of the instructions before installing or operating the equipment, and save this manual for future reference.

AlphaNet™ DM3X Series DOCSIS® Status Monitor for XM2

Technical Manual

704-939-B10-001 Rev. A5

Effective Date: June 2019

© 2019 by Alpha Technologies Services, Inc.

Disclaimer

Images contained in this manual are for illustrative purposes only. These images may not match your installation.

Operator is cautioned to review the drawings and illustrations contained in this manual before proceeding. If there are questions regarding the safe operation of this powering system, please contact Alpha Technologies Services, Inc. or your nearest Alpha representative.

Alpha shall not be held liable for any damage or injury involving its enclosures, power supplies, generators, batteries or other hardware if used or operated in any manner or subject to any condition not consistent with its intended purpose or is installed or operated in an unapproved manner or improperly maintained.

Contact Information

Sales information and customer service in USA
(7AM to 5PM, Pacific Time):

1 800 322 5742

Complete technical support in USA
(7AM to 5PM, Pacific Time or 24/7 emergency support):

1 800 863 3364

Sales information and technical support in Canada:

1 888 462 7487

Website:

www.alpha.com

Table of Contents

1.0 Introduction	8
2.0 Overview	10
2.1 System Diagram	10
2.2 Network Connectivity	11
2.3 System Configuration and Installation	11
2.4 DM3.0 Series Start Up and Reboot Routine	12
3.0 Network Configuration	13
3.1 Provisioning the DHCP Server with the MAC Addresses	13
3.2 Establishing IP Connectivity	14
3.3 The DOCSIS Configuration File	14
3.3.1 Setting Modem Community Strings - docsDevNmAccess Method (IPv4 Only)	15
3.3.2 Setting Modem Community Strings - Coexistence Method	16
3.3.3 Setting SNMP Trap Destination Addresses - docsDevNmAccess Method	17
3.3.4 Setting SNMP Trap Destination Addresses - Coexistence Method	18
3.3.5 Sample DOCSIS Configuration File Entries - devDocNmAccess	19
3.3.6 Sample DOCSIS Configuration File Entries - Coexistence	20
3.3.7 Proprietary Configuration File 'atidoc33.cfg'	21
3.3.8 Changing Default atidoc33.cfg Download Settings	22
3.4 Setting Communication Options	23
4.0 Web Interface	24
4.1 Local Web Server Access	24
4.2 Remote Web Server Access	27
4.3 Navigating the Web Page	28
4.3.1 Web Interface Security Levels	29
4.4 Verifying Communication Parameters	30
4.5 Verifying Power Supply and Battery Parameters	31
4.6 Remote Self-Tests via the Web Page	31
4.7 Viewing HMS Alarm Status via the Web Page	32
4.8 Setting the I/O Controller via the Web Page	33
4.9 Viewing and Configuring Power Supply Settings via the Web Page	34
4.10 Viewing and Configuring Generator Settings Via the Web Page	37
4.11 Tools Menu - Constellation and Microreflections	38
4.11.1 QAM Constellation Tool	38
4.11.2 QAM Constellation Common Impairments	39
4.11.3 Microreflections Tool	44
4.12 Viewing the Modem Event Log via the Web Page	47
5.0 Upgrading Firmware	48
5.1 Upgrading DM3X Modem Firmware	48
5.1.1 Identifying the Modem and Obtaining Firmware Files	48
5.1.2 Modem Firmware Upgrade SNMP Parameters	48
5.1.3 Upgrading Manually by Setting SNMP Parameters	49
5.1.4 Upgrading via the DOCSIS Configuration File	49
6.0 Data Management	50
6.1 SCTE-HMS MIBs	50
6.2 SCTE-HMS MIB Alarms	51
6.2.1 SCTE-HMS Configurable Alarms	51
6.2.2 SNMP Traps	58
6.2.3 General Power Supply Alarms	60
6.2.4 Battery Alarms	64

Table of Contents

7.0 Installation	65
7.1 Verifying Power Supply Device Address	65
7.2 Installation / Replacement Procedure in XM2 Power Supplies	66
7.3 DM3X LEDs and Connections	68
7.4 Connecting the RF Drop	69
7.5 Front Panel Connections	70
7.6 I/O Connections (TPR, ENV)	71
7.6.1 Tamper (TPR) Switch Interface	71
7.6.2 I/O Port Interface	72
7.6.3 Configuring I/O Port Connections	72
7.6.4 I/O Port: Generic Device	73
7.6.5 Connecting a Generic I/O Device	74
7.6.6 Configuring and Monitoring a Generic I/O Device	74
7.6.7 I/O Port: Heater Mat Control	75
7.6.8 Connecting the Battery Heater Mat Controller	76
7.6.9 Configuring the Battery Heater Mat Controller	77
7.6.10 I/O Port: Emergency DC Generator (GEN)	77
7.6.11 Configuring and Monitoring the DC Emergency Generator	78
8.0 Battery Sense Wire Kits	79
8.1 36V Single and Dual Strings	79
9.0 Start Up and Verification	81
9.1 Initial Start Up and Local Verification	81
9.2 Verifying Correct Hardware Interconnection	83
9.3 System Status Indicators and Reset Button	84
9.3.1 Detailed LED Descriptions	85
9.3.2 Resetting the Transponder	88
9.4 Verifying Communications via the Headend	88
9.5 Dual IP Mode	89
9.5.1 Overview	89
9.5.2 Web Comparison, Single IP Mode/Dual IP Mode	90
9.5.3 Configuring Dual IP Mode	91
9.5.4 Dual IP SNMP Community Strings	94
9.5.5 Security in Dual IP Mode	95
10.0 Specifications	97
11.0 Glossary	99
11.1 Acronym Definitions	99

Figures

Fig. 1-1, AlphaNet DM3X.	8
Fig. 1-2, DM3X Transponder Components.	9
Fig. 2-1, Representative System Arrangement.	10
Fig. 2-2, DM3X Transponder Start Up and Reboot Routine.	12
Fig. 3-1, Locations of MAC Address Labels	13
Fig. 4-1, DM3X Web Page	24
Fig. 4-2, Local Area Connection Properties Screen, Windows® 7	25
Fig. 4-6, Web Server Home Page	27
Fig. 4-7, Navigation Bar Items	28
Fig. 4-8, Communication Parameters	30
Fig. 4-9, Advanced Communication Parameters.	30
Fig. 4-10, Power Supply and Battery Parameters	31
Fig. 4-11, HMS Alarm Configuration	32
Fig. 4-12, Advanced I/O Controller Status Screen	33
Fig. 4-13, Advanced Power Supply Settings Screen.	34
Fig. 4-14, Advanced Generator Status Screen.	37
Fig. 4-15, QAM Constellation Tool	38
Fig. 4-16, Normal - (Good Quality) and Individual Cell Characteristics	39
Fig. 4-17, Fuzzy (Low CNR and/or Low MER) and Individual Cell Characteristics	40
Fig. 4-18, Doughnuts (Coherent Interference) and Individual Cell Characteristics	40
Fig. 4-19, Gaussian Noise and Individual Cell Characteristics.	41
Fig. 4-20, Rectangular vs. Square (I-Q Imbalance) and Entire Constellation Shape	41
Fig. 4-21, Corners Squeezed to Center (Gain Compression) and Entire Constellation Shape	42
Fig. 4-22, Circular Smear (Phase Noise) and Entire Constellation Shape.	42
Fig. 4-23, Twisted or Skewed (Quadrature Distortion) and Entire Constellation Shape	43
Fig. 4-24, Microreflections Tool.	44
Fig. 4-25, Spectrum Tool	45
Fig. 4-26, Spectrum Tables.	46
Fig. 4-27, Docsdev Event Log Screen	47
Fig. 7-1, Captive Screw Locations	66
Fig. 7-2, Jumper Location and the 18-Pin Connector	67
Fig. 7-3, Connecting the Transponder to the Inverter Module	67
Fig. 7-4, DM3X LEDs and Connectors.	68
Fig. 7-5, Connecting the RF Drop	69
Fig. 7-6, System Interconnection Diagram.	70
Fig. 7-7, I/O (ENV) and Tamper Switch Interface (TPR) Connection Locations	71
Fig. 8-1, 36V System, Single String	79
Fig. 8-2, 36V System, Dual String	79
Fig. 8-3, 48V System, Single String	80
Fig. 8-4, 48V System, Dual String	80
Fig. 9-1, XM2 Smart Display Screens	81
Fig. 9-2, Communications Section - General Page	82
Fig. 9-3, Power Supply Section - General Page	83
Fig. 9-4, LED Functionality and Indications	84
Fig. 9-5, Transponder Web Page, RF Power Level Indicators.	87
Fig. 9-6, Simplified Block Diagram Single IP Mode	89
Fig. 9-7, Simplified Block Diagram Dual IP Mode	89
Fig. 9-8, Single IP DM3X Transponder Web Page.	90
Fig. 9-9, Dual IP DM3X Transponder Web Page.	90
Fig. 9-10, Dual IP Configuration Settings for Web Server Communications Page.	92
Fig. 9-11, Dual IP Parameters for Web Server General Page	92

Tables

Table 1-1, DM3X Transponder Model Specifications	8
Table 2-1, LEDs and Indications	12
Table 3-1, Modem Community String Parameters - docsDevNmAccess Method	15
Table 3-2, Modem Community String Parameters - Coexistence Method	16
Table 3-3, Trap Destination Addresses - docsDevNmAccess Method	17
Table 3-4, Trap Destination Addresses - Coexistence Method	18
Table 3-5, Default atidoc33.cfg Download Settings	22
Table 3-6, Communications Parameters	23
Table 4-1, DM3X Web Page Security	29
Table 4-2, DM3X Security Levels	29
Table 4-3, Spectrum Tool Buttons	45
Table 4-4, Spectrum Table Details	46
Table 5-1, Modem Firmware Upgrade SNMP Parameters	48
Table 5-2, SNMP Parameters	49
Table 5-3, DOCSIS Configurations File Values	49
Table 6-1, SCTE-HMS MIB Files	50
Table 6-2, Binary to Hex Conversions for Alarm Settings	52
Table 6-3, Recommended Settings for DM3X Analog Alarms	53
Table 6-4, Recommended Settings for Discrete Alarms	54
Table 6-5, DM3X Alarm Setting Parameters	57
Table 6-6, Status of Alarm Setting Download Parameters	57
Table 6-7, SNMP Alarm Trap Varbinds and Explanations	59
Table 6-8, Power Alarms: Classifications, Causes and Corrections	61
Table 6-8, Power Alarms: Classifications, Causes and Corrections, Continued	62
Table 6-8, Power Alarms: Classifications, Causes and Corrections, Continued	63
Table 6-9, Battery Alarms: Classifications, Causes and Corrections	64
Table 7-1, Tamper (TPR) Switch Specifications	71
Table 7-2, ENV Connector and Pin Descriptions	72
Table 7-3, I/O Port Specifications	73
Table 7-4, I/O Port: Generic Device Specifications	73
Table 7-5, I/O Port: Heater Mat Control Specifications	75
Table 7-6, Heater Mat OIDs and Functionality	77
Table 7-7, Heater Mat MIB Reports	77
Table 7-8, Generator Monitoring Values	78
Table 9-1, SCTE-HMS Property Table	86
Table 9-2, Rx/Tx Power LED Color Ranges	86
Table 9-3, Single IP Mode vs. Dual IP Mode	89
Table 9-4, Enabling Dual IP Mode	91
Table 9-5, CPE Communications Module IP Settings	91
Table 9-6, Available Download Options	93
Table 9-7, Community Strings	94
Table 9-8, Data Access Key Parameters	95
Table 9-9, Secure Access Table Parameters	96

1.0 Introduction

The AlphaNet DM3X Embedded DOCSIS and EuroDOCSIS Transponders allow monitoring of Alpha power supplies through existing cable network infrastructure. Advanced networking services provide quick reporting and access to critical powering information. This manual focuses on the DM3X Transponder complementing the XM2 CableUPS.

The DM3X Transponder utilizes Simple Network Management Protocol (SNMP) and Management Information Bases (MIBs) to provide network status monitoring and diagnostics. A Web interface enables authorized personnel direct access to advanced diagnostics using a common Web browser. No custom software is required. See Table 1-1 for model specifications.

DM3X Transponder Model Specifications		
Features & Information	DM3X	DM3EX
Part Number	704-939-20	704-939-22
1 & 2 Battery Strings	Yes	Yes
3 & 4 Battery Strings	Yes	Yes
DOCSIS 3.0 Standard	U.S.	EURO
Gb-Ethernet, CPE and local access	Yes	Yes
Tamper Switch Interface	Yes	Yes
ENV I/O Monitoring and Control	Yes	Yes
COM Port (AlphaBus) (PSx5 & AlphaGen)	Yes	Yes
Battery Monitoring	24V / 36V x 4 STR / 6 x 6V	24V / 36V x 4 STR / 6 x 6V
Quality of Service (QoS)	Yes	Yes

Table 1-1, DM3X Transponder Model Specifications

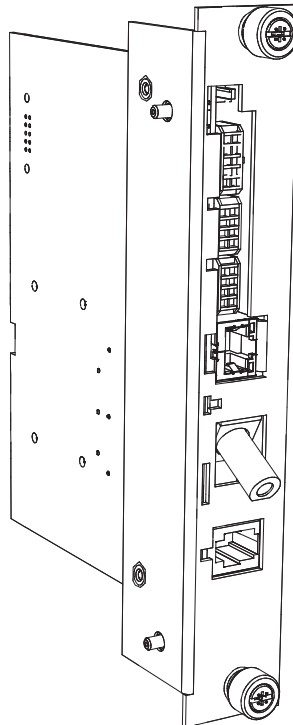


Fig. 1-1, AlphaNet DM3X

1.0 Introduction, continued

Primary Features

- DOCSIS 3.0 “Full Band Capture” Hardware
- 10/100/1000 Mbps auto-negotiating standard Ethernet interface
- Local Ethernet port provides technician on-site access to extensive power supply diagnostics*
- Embedded Web server for direct diagnostics
- Supports SNMPv1, v2c, v3
- Extensive power supply diagnostic MIBs
- Environmentally hardened DOCSIS cable modem and transponder
- Angled RF connector reduces cable bend radius
- Diagnostic LED indicators for RF communications, Battery connections and Ethernet status
- North American DOCSIS or EuroDOCSIS available

*Ethernet port also permits the connecting of external CPE devices.

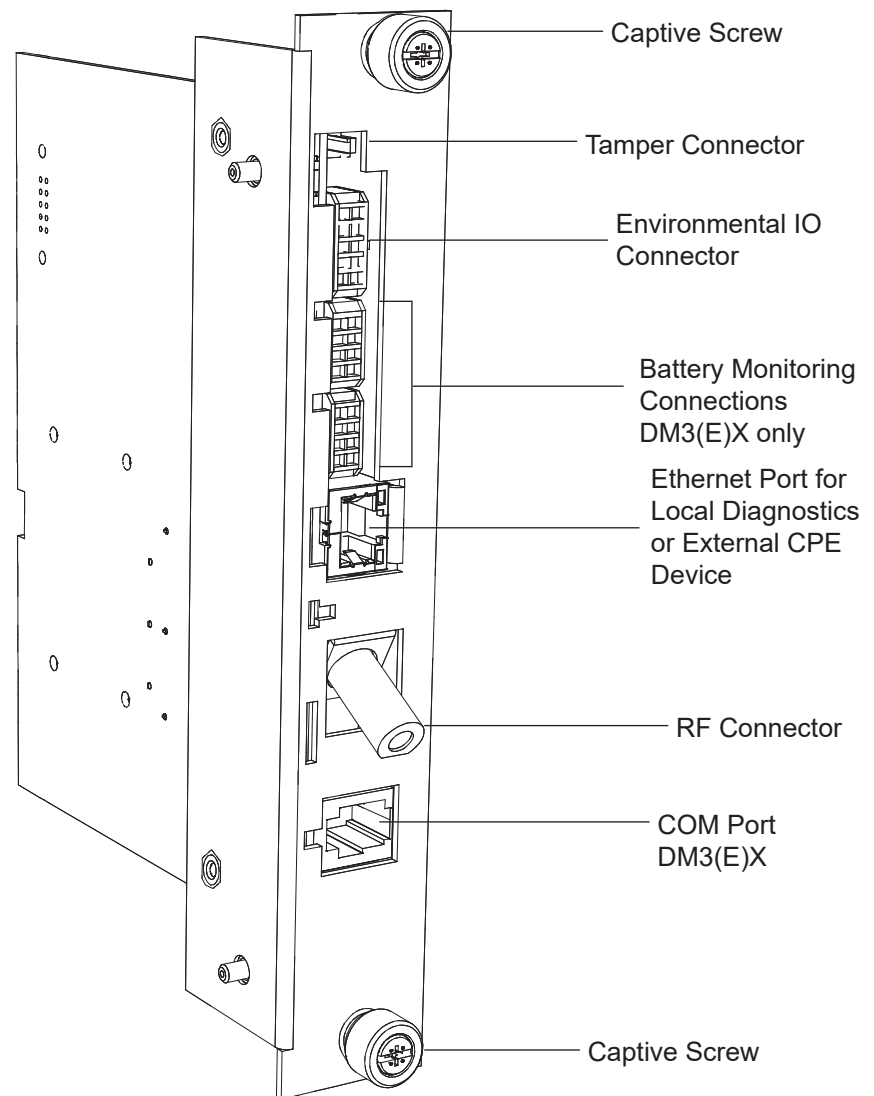


Fig. 1-2, DM3X Transponder Components

2.0 Overview

2.1 System Diagram

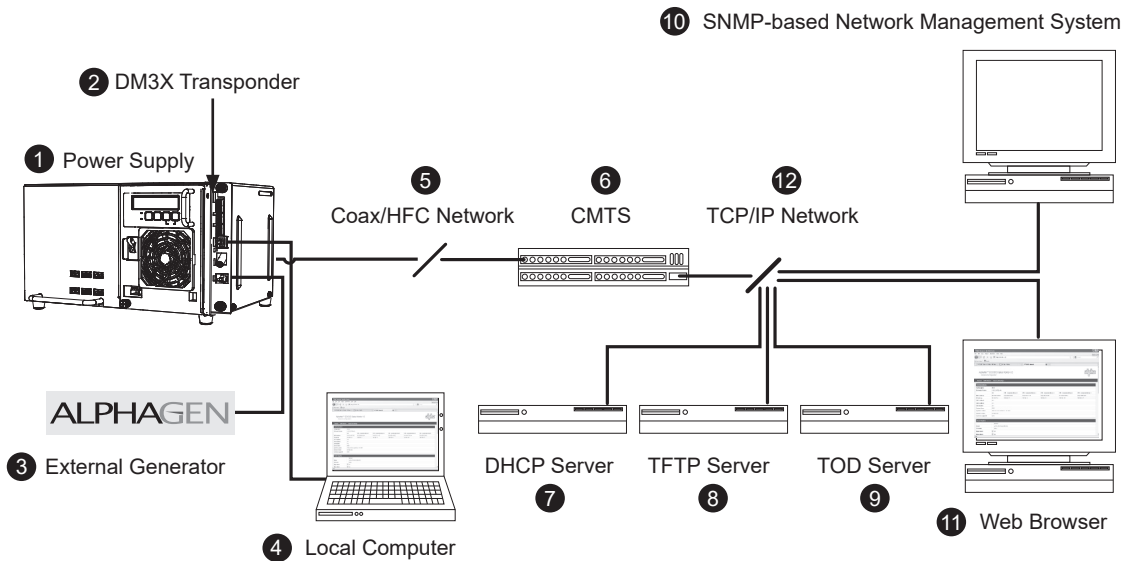


Fig. 2-1, Representative System Arrangement

- ① All power supply data is stored in the power supply Inverter Module's class information base (CIB) tables in the power supply. This data is accessible directly via the power supply's LCD Display (see the power supply's technical manual for details). The CIB tables are the source of the transponder's data.
- ② The DM3X Transponder contains both SCTE-HMS Management Information Base (MIBs) and the proprietary Alpha MIB tables. The SCTE-HMS MIBs are industry standard MIB tables that store power supply, battery and generator data from the CIB tables (See Section 6.0, Data Management). The Alpha MIB contains all the data of the SCTE-HMS MIBs plus additional power supply settings and values as well as the transponder's configuration values.
- ③ A fixed or stationary external generator or additional power supplies may be connected through the COM (AlphaBus) port permitting monitoring locally through the Ethernet connector or remotely via the Web page or SNMP-based Network Management System.
- ④ Power supply and transponder parameters can be monitored and set locally using a personal computer and a standard Ethernet cable.
- ⑤ The transponder transmits data via its cable modem directly over the Coax or Hybrid Fiber Coax network.
- ⑥ The Cable Modem Termination System (CMTS) is the bridge between the cable network and the TCP/IP network. The transponder's cable modem communicates over the HFC network to the CMTS.
- ⑦ The Dynamic Host Control Protocol (DHCP) server needs to be provisioned with the transponder's cable modem CM MAC address and the MAC address needs to be assigned a DOCSIS Configuration File.
- ⑧ The DOCSIS Configuration File and firmware files should be available in the Root Directory of the Trivial File Transfer Protocol (TFTP) Server.
- ⑨ The Time of Day (TOD) Server provides the cable modem with the current date and time.
- ⑩ A Network Management System (NMS) or MIB Browser allows remote monitoring, control, and configuration of the transponder, power supply, and connected device parameters. Alarms and traps can be set and monitored.
- ⑪ The power supply and generator data may be accessed remotely through the transponder's Web page by placing its IP address into a standard Web browser.
- ⑫ The following ports of the Transmission Control Protocol/Internet Protocol network must be opened: 161=SNMP, 162=SNMP, Traps, 69=TFTP, 80=HTTP, 37=TOD.

2.0 Overview, continued

2.2 Network Connectivity

The transponder's cable modem must be provisioned to be recognized by the CMTS as a valid device to be assigned an IP address from the DHCP server, to locate the TFTP and TOD servers and to communicate with the SNMP management server (trap receiver). The DM3X Transponder must be provisioned in the cable system to allow it to be recognized by the CMTS, receive an IP address, TOD, TFTP files and communicate with the SNMP management system.

In single IP configured devices, data from both the cable modem and power supply are accessed and managed through the modem's IP address on the secure private modem network. The transponder is not accessible from the public Customer Premises Equipment (CPE) network. Consequently, the Network Management System (NMS) that monitors the power supplies must have access to the same private modem network.

CMTS and system vendors use different security methods to ensure network integrity, but common considerations are:

- Network MAC filtering may have to be modified to allow the cable modem OUI of 00:90:EA for North America, and 00:03:08 for European models.
- For SNMP access, UDP ports 161 and 162 must not be blocked.
- For TFTP access, port 69 must not be blocked.
- For HTTP access, port 80 must not be blocked.
- For TOD access, port 37 must not be blocked.
- Firewalls must allow TFTP, DHCP, SNMP and TOD communication to the cable modem.
- If the address of the TFTP or TOD server is different than the DHCP server, the response from the DHCP server must contain the TFTP and TOD addresses.

2.3 System Configuration and Installation



NOTICE:

Before installation, read all of **Section 2.0, Overview**.

DM3X Transponder installation and setup is comprised of three basic steps:

1. **Configuring the Network:** Provisioning the DHCP Server with the transponder's MAC address and assigning it a DOCSIS Configuration File.
2. **Setting Options:** The DM3X Transponder is designed for out-of-the-box, "plug and play" operation, but non-default settings such as SNMP trap destination addresses may be required for the Network Management System (NMS). SNMP trap addresses can be set automatically via the DOCSIS Configuration File per RFC 4639 (IPv4), or through SNMPv3 Notification settings (IPv6), while proprietary options may be set through type-11 TLV entries.
3. **Field Installation of the DM3X Transponder** into the power supply, connecting the battery string wire harnesses, Tamper, Environmental Control (as applicable), RF drop cable and verifying operation.

These steps can be performed independently of one another. However, configuring the network prior to field installation will allow the installation to be verified while personnel are still on-site. Performing field installation before network configuration and before the installation can be verified, might result in additional field service calls to correct mistakes.

Carefully read the following section in order to understand the dependencies within the system before performing system configuration or hardware installation.

2.4 DM3.0 Series Start Up and Reboot Routine

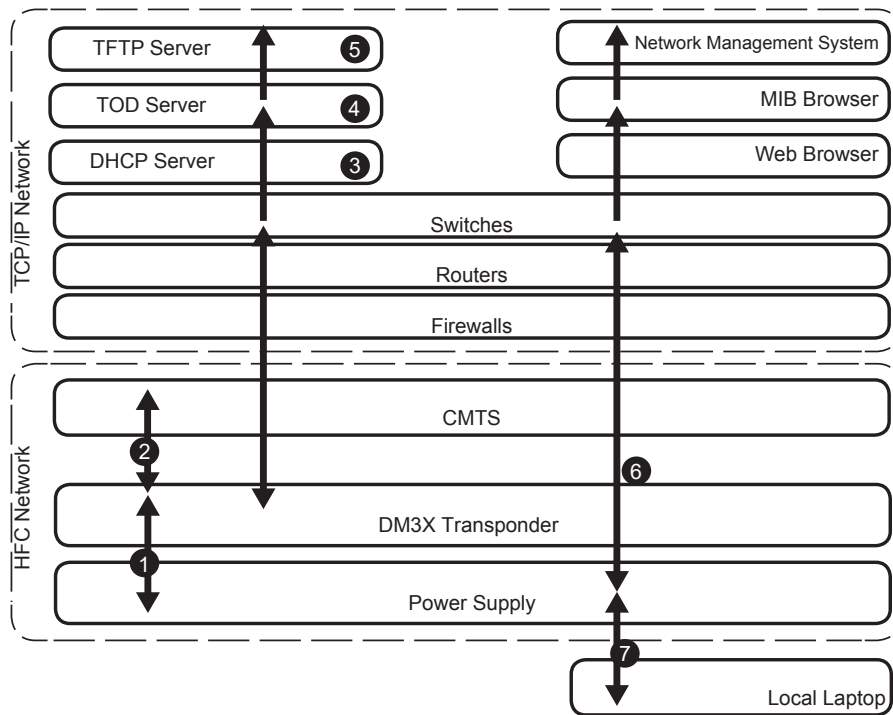


Fig. 2-2, DM3X Transponder Start Up and Reboot Routine

The above diagram, read left to right, indicates the order of operations as the transponder comes online. There are certain conditions that must exist for each step to occur, resulting in successful data monitoring and management. The numbers below correspond to the numbered arrows above.

- Blue Rx/Tx Power LED indicates Rx/Tx Power at a warning level. Make the necessary RF level adjustments.
- Red Rx/Tx Power LED indicates Rx/Tx Power at an alert level. Make the necessary RF level adjustments.

LEDs and Indications								
Ref #	Communications State	ALM/RDY	Downstream (ds)	Upstream (US)	Rx / Tx Power	ONLINE (OL)	Communications (COM)	Link (LNK)
1	Transponder Initializing / Searching for Downstream DOCSIS channel	Flashing (Green)	Flashing	OFF	OFF	OFF	OFF	OFF
2	Downstream channel acquired, service group determination and ranging initialization	Flashing (Green)	ON	Flashing	OFF	OFF	OFF	OFF
3 - 5	Online - registration complete	Flashing (Green)	ON	ON	ON (Green)	ON	OFF and ON	OFF
6	DM3.0 Series Transponder fully functional	Flashing (Green)	ON	ON	ON (Green)	ON	Bursts when communicating to multiple power supplies	OFF
7	Laptop Connected (Local)	Flashing (Green)	ON	ON	ON (Green)	Bursts when CPE device communicating	Bursts	ON

Table 2-1, LEDs and Indications

3.0 Network Configuration

3.1 Provisioning the DHCP Server with the MAC Addresses

On the DHCP server, assign the cable modem's CM MAC address with a DOCSIS Configuration File to set modem communication options. (See Section 3.3, The DOCSIS Configuration File for instructions on how to create a DOCSIS Configuration File).

The CM and CPE MAC addresses are located on the DM3X Transponder and on the packing slip, see below. The CM MAC address may be labeled as the RF MAC address on some DM3X units.

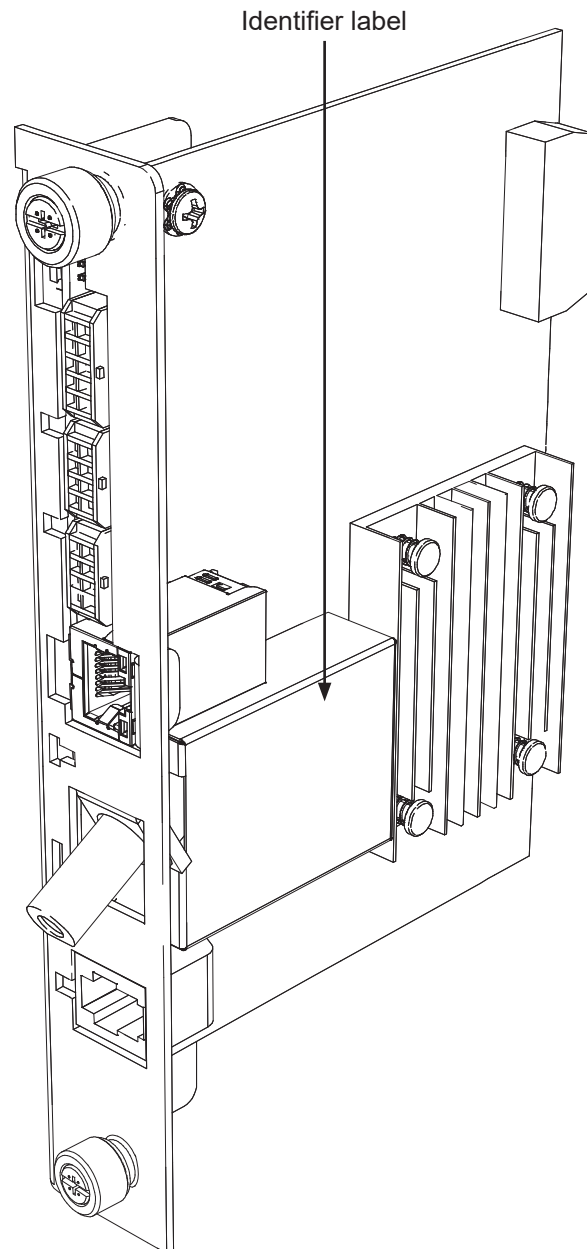


Fig. 3-1, Locations of MAC Address Labels

3.0 Network Configuration, continued

3.2 Establishing IP Connectivity

The DM3X Transponder supports the CableLabs DOCSIS 3.0 IPv6 implementation. The main benefit of IPv6 is its expanded addressing capability, increasing the address space from 32 to 128 bits, providing virtually unlimited number of networks and systems. The DM3X Transponder determines the IP provisioning mode via the CableLabs SNMP MIB parameter docsIf3CmMdCfgIpProvMode (SNMP OID: 1.3.6.1.4.1.4491.2.1.20.1.31.1.1). The DM3X will support the following configurable IP Provisioning Mode Override policies:

- Honor MDD: The cable modem of the DM3X unit will acquire an IPv6 or IPv4 address as directed by the MAC Domain Descriptor (MDD) message for provisioning and operation.
- IPv4 only: The cable modem of the DM3X unit will acquire a single IPv4 address for the CM management stack, overriding the TLVs in the MDD message.
- IPv6 only: The cable modem of the DM3X unit will acquire a single IPv6 address for the CM management stack, overriding the TLVs in the MDD message.

3.3 The DOCSIS Configuration File

A cable modem's DOCSIS Configuration File is a type-length-value (TLV) file that contains important operational parameters as defined by the DOCSIS standards. It provides certain settings for the cable modem. In addition to standard entries, settings in the DOCSIS Configuration File should include the modem's community strings and if an upgrade is necessary, firmware upgrade parameters. Place the Configuration File in the TFTP root directory.

The transponder's cable modem interface can support both IPv4 and IPv6 addressing schemes. The required DOCSIS Configuration File operational parameters will differ depending on company policies, cable modem firmware versions and IP addressing schemes. The following DOCSIS Configuration File details listed in this manual are general guidelines. Please consult the published DOCSIS Specification resources (CableLabs) for additional DOCSIS Configuration File details and guidelines.

To build a DOCSIS Configuration File, use a DOCSIS TLV editor program. See the example Configuration Files in Sections 3.3.5 and 3.3.6.

NOTICE:

The modem community strings should be set in the DOCSIS Configuration File. Failure to set community strings will result in a less secure system. For automatically updating modem firmware with the DOCSIS Configuration File, see **Section 5.1, Upgrading DM3X Modem Firmware**.

3.0 Network Configuration, continued

3.3.1 Setting Modem Community Strings - docsDevNmAccess Method (IPv4 Only)

Set the modem community strings with the DOCSIS Configuration File by including the following SNMP parameters.

Modem Community String Parameters docsDevNmAccess Method			
MIB Parameter	Object ID	Description	Value
docsDevNmAccessIp	1.3.6.1.2.1.69.1.2.1.2.x	The IP address (or subnet) of the NMS	e.g. 10.20.30.0
docsDevNmAccessIpMask	1.3.6.1.2.1.69.1.2.1.3.x	The IP subnet mask of the NMS	e.g. 255.255.255.0
docsDevNmAccessCommunity	1.3.6.1.2.1.69.1.2.1.4.x	The community string matched to this IP address net mask entry	alphanumeric string
docsDevNmAccessControl	1.3.6.1.2.1.69.1.2.1.5.x	The level of access granted	1-3 None, Read Only, Read / Write
docsDevNmAccessInterfaces	1.3.6.1.2.1.69.1.2.1.6.x	Specifies the set of interfaces from which requests from this NMS will be accepted	0x40 : Cable interface (typical) 0x80 : Ethernet interface 0xC0 or 0x00 : Both interfaces
docsDevNmAccessStatus	1.3.6.1.2.1.69.1.2.1.7.x	Controls and reflects the status of rows in this table	4

Note: X denotes the index of the SNMP entry

Table 3-1, Modem Community String Parameters - docsDevNmAccess Method

3.0 Network Configuration, continued

3.3.2 Setting Modem Community Strings - Coexistence Method

Set the modem community strings with the DOCSIS Configuration File for an IPv6 network by including the following SNMP parameters:

Modem Community String Parameters Coexistence Method			
TLV Type	TLV Parameter	Description	Value
53	SNMPv1v2c Coexistence Configuration	This object specifies the SNMPv1v2c Coexistence Access Control configuration of the CM. This TLV creates entries in SNMPv3 tables as specified in [DOCSIS OSSv3.0]	Composite
53.1	SNMPv1v2c Community Name	This sub-TLV specifies the Community Name (community string) used in SNMP requests to the CM.	Text (e.g. AlphaRead)
53.2	SNMPv1v2c Transport Address Access	This sub-TLV specifies the Transport Address and Transport Address Mask pair used by the CM to grant access to the SNMP entity querying the CM.	Variable
53.2.1	SNMPv1v2c Transport Address	Specifies the Transport Address to use in conjunction with the Transport Address Mask used by the CM to grant access to the SNMP entity querying the CM. Length is 6 bytes for IPv4 and 18 bytes for IPv6. Two additional bytes are added to the IP address length for the port number.	Transport Address (e.g. 0.0.0.0/0 or 0:0:0:0:0:0:0/0)
53.2.2	SNMPv1v2c Transport Address Mask	Specifies the Transport Address Mask to use in conjunction with the Transport Address used by the CM to grant access to the SNMP entity querying the CM. Length is 6 bytes for IPv4 and 18 bytes for IPv6. Two additional bytes are added to the IP address length for the port number.	Transport Address (e.g. 0.0.0.0/0 or 0:0:0:0:0:0:0/0)
53.3	SNMPv1v2c Access View Type	Specifies the type of access to grant to the community name of this TLV. If not specified, default read-only is used.	1 = Read Only 2 = Read / Write
53.4	SNMPv1v2c Access View Name	Specifies the name of the view that provides the access indicated in sub-TLV SNMPv1v2c Access View Type.	String (e.g. docsisManagerView)

Table 3-2, Modem Community String Parameters - Coexistence Method

3.0 Network Configuration, continued

3.3.3 Setting SNMP Trap Destination Addresses - docsDevNmAccess Method

Set the SNMP Trap Destination Addresses via the DOCSIS Configuration File by including the following SNMP parameters.

Trap Destination Addresses docsDevNmAccess Method			
MIB Parameter	Object ID	Description	Value
docsDevNmAccessIP	1.3.6.1.2.1.69.1.2.1.2.x	IP address of trap destination, e.g. NMS server	e.g. 10.20.30.40
docsDevNmAccessIpMask	1.3.6.1.2.1.69.1.2.1.3.x	Must be set to 255.255.255.255 per RFC 4639	255.255.255.255
docsDevNmAccessCommunity	1.3.6.1.2.1.69.1.2.1.4.x	Community string used by NMS to query transponder	alphanumeric string
docsDevNmAccessControl	1.3.6.1.2.1.69.1.2.1.5.x	Level of SNMP access to DM3X Transponder from IP address specified in docsDevNmAccessIpMask	4=Read/Only plus Trap 5=Read/Write plus Trap 6=Trap only, no SNMP access
docsDevNmAccessInterfaces	1.3.6.1.2.1.69.1.2.1.6.x	Specifies the set of interfaces from which requests from this NMS will be accepted	0x40 : Cable interface (typical) 0x80 : Ethernet interface 0xC0 or 0x00 : Both interfaces
docsDevNmAccessStatus	1.3.6.1.2.1.69.1.2.1.7.x	Controls and reflects the status of rows in this table	4

Note: X denotes the index of the SNMP entry

Table 3-3, Trap Destination Addresses - docsDevNmAccess Method

3.0 Network Configuration, continued

3.3.4 Setting SNMP Trap Destination Addresses - Coexistence Method

Set the SNMP Trap Destination Addresses via the DOCSIS Configuration File by including the following SNMP parameters:

Trap Destination Addresses Coexistence Method			
TLV Type	TLV Parameter	Description	Value
38	SNMPv3 Notification Receiver	This config file element specifies an NMS that will receive notifications from the modem when it is in Coexistence mode. Up to 10 of these elements may be included in the configuration file.	Composite
38.1	SNMPv3 Notification Receiver IP Address	This sub-TLV specifies the IP address of the notification receiver.	0:0:0:0:0:0:0 (e.g. fc00:168:1:0:0:0:32) 0.0.0.0 (e.g. 10.11.0.1)
38.2	SNMPv3 Notification Receiver UDP Port Number	This sub-TLV specifies the UDP port number of the notification receiver. If this sub-TLV is not present, the default value of 162 should be used.	UDP port number (e.g. 162)
38.3	SNMPv3 Notification Receiver Trap Type	This sub-TLV specifies the type of trap to send.	The trap type may take values: 1 = SNMP v1 trap in an SNMP v1 packet 2 = SNMP v2c trap in an SNMP v2c packet 3 = SNMP inform in an SNMP v2c packet 4 = SNMP v2c trap in an SNMP v3 packet 5 = SNMP inform in an SNMP v3 packet
38.4	SNMPv3 Notification Receiver Timeout	This sub-TLV specifies the timeout value to use when sending an Inform message to the notification receiver.	Time in milliseconds (e.g. 15000)
38.5	SNMPv3 Notification Receiver Retries	This sub-TLV specifies the number of times to retry sending an Inform message if an acknowledgement is not received.	Number of retries (e.g. 3)
38.6	SNMPv3 Notification Receiver Filtering Parameters	Object Identifier of the snmpTrapOID value that identifies the notifications to be sent to the notification receiver. This notification and all below it will be sent.	Filter OID (e.g. 1.3.6)

Table 3-4, Trap Destination Addresses - Coexistence Method



NOTICE:

As an alternative to the docsDevNmAccessTable or SNMPv3 trap parameters, SNMP Trap Destination Addresses may be set through the DM3X proprietary MIB atiMgmtSnmpTrapTable (OID: 1.3.6.1.4.1.926.1.3.1.1) using a SNMP MIB Browser or as an entry in the Proprietary Configuration File 'atidoc33.cfg' in **Section 3.3.6, Sample DOCSIS Configuration File Entries — Coexistence Method**.

3.3.5 Sample DOCSIS Configuration File Entries - devDocNmAccess

- ①

```
SNMP MIB Object (11) [Len=21]:docsDevNmAccessStatus.1/4
SNMP MIB Object (11) [Len=21]:docsDevNmAccessIp.1/10.56.21.0
SNMP MIB Object (11) [Len=21]:docsDevNmAccessIpMask.1/255.255.255.0
SNMP MIB Object (11) [Len=25]:docsDevNmAccessCommunity.1/"RW STRING"
SNMP MIB Object (11) [Len=25]:docsDevNmAccessInterfaces.1/"@"
SNMP MIB Object (11) [Len=21]:docsDevNmAccessControl.1/3
```
- ②

```
SNMP MIB Object (11) [Len=21]:docsDevNmAccessStatus.2/4
SNMP MIB Object (11) [Len=21]:docsDevNmAccessIp.2/10.20.30.40
SNMP MIB Object (11) [Len=21]:docsDevNmAccessIpMask.2/255.255.255.255
SNMP MIB Object (11) [Len=25]:docsDevNmAccessCommunity.2/"RW Trap string"
SNMP MIB Object (11) [Len=25]:docsDevNmAccessInterfaces.2/"@"
SNMP MIB Object (11) [Len=21]:docsDevNmAccessControl.2/5
```
- ③

```
Software Upgrade Filename(9) [Len=24]:"ModemFirmwareFile.bin"
SNMP MIB Object (11) [Len=20]:docsDevSwAdminStatus.0/2
```
- ④

```
Software Upgrade TFTP Server (21) [Len=4]:10.56.48.15
```
- ⑤

```
Manufacturer Code Verification Certificate (32) [Len=254]: 30 82 03 1A 30 82...
Manufacturer Code Verification Certificate (32) [Len=254]: 04 0A 13 11 41 4D...
Manufacturer Code Verification Certificate (32) [Len=254]: 04 0C 30 0A 06 01...
Manufacturer Code Verification Certificate (32) [Len=36]: 11 A3 41 A6 A7 D9....
```

Legend

- ① Sets Read-Write community string. Set the IP address, netmask and community string to fit your system.
- ② Sets the IP address of where the SNMP traps will be sent. This is typically set to match the IP address of the Network Managements System Server.
- ③ Sets firmware download parameters.
- ④ Specifies the IP address of the TFTP server used for upgrading firmware.
- ⑤ Sets Code Verification Certificate (CVC) for firmware upgrade security per the DOCSIS specification.

3.3.6 Sample DOCSIS Configuration File Entries - Coexistence

①
SNMPv1v2c Coexistence Configuration
SNMPv1v2c Community Name:ReadWrite
SNMPv1v2c Transport Address Access
SNMPv1v2c Transport Address:0.0.0.0/0
SNMPv1v2c Transport Address Mask:0.0.0.0/0
SNMPv1v2c Transport Address Access
SNMPv1v2c Transport Address:0:0:0:0:0:0/0
SNMPv1v2c Transport Address Mask:0:0:0:0:0:0/0
SNMPv1v2c Access View Type:read-write
SNMPv1v2c Access View Name:docsisManagerView

②
Docsis V3 Notification Receiver
UDP Port number of trap receiver:162
Type of trap:SNMP v1 trap in an SNMP v1 packet
Timeout for sending inform:15000
Number of retries:3
Filtering Parameters:1.3.6
IPv6 Address of trap receiver:fc00:168:1:0:0:0:32
Docsis V3 Notification Receiver
IP Address of trap receiver:192.168.1.51
UDP Port number of trap receiver:162
Type of trap:SNMP v1 trap in an SNMP v1 packet
Timeout for sending inform:15000
Number of retries:3
Filtering Parameters:1.3.6

③
Software Upgrade Filename:ModemFirmwareFile.bin

④
Software Upgrade IPv6 TFTP Server:fc00:168:1:0:0:0:51

⑤
Manufacturer Code Verification Certificate:3082031B30820...
Manufacturer Code Verification Certificate:040A1312414C5...
Manufacturer Code Verification Certificate:FF040C300A060...
Manufacturer Code Verification Certificate:257939C848CE0...

Legend

- ① Sets Read-Write community string. Set the IP address, netmask and community string to fit your system.
- ② Sets the IP address of where the SNMP traps will be sent. This is typically set to match the IP address of the Network Managements System Server.
- ③ Sets firmware download parameters.
- ④ Specifies the IP address of the TFTP server used for upgrading firmware.
- ⑤ Sets Code Verification Certificate (CVC) for firmware upgrade security per the DOCSIS specification.



NOTICE:

DOCSIS configuration files vary from system to system. Take into consideration your company's policies and test the file on a local system prior to widescale deployment.

In previous versions of the DM product line, an additional configuration file (also known as a Setup File) could be used for distributing custom Alpha MIB settings to all DMs on a network. This is still the case, with the only difference being the name of the file, which for the DM3.0 Series is atidoc33.cfg. It may be used if preferred but is not required.

3.0 Network Configuration, continued

3.3.7 Proprietary Configuration File 'atidoc33.cfg'

The DM3X Transponder will attempt to download a TLV-formatted file 'atidoc33.cfg' from the modem's provisioning TFTP server at start up and every 24 hours thereafter. The atidoc33.cfg proprietary configuration file is optional and provides an alternative method to the modem's DOCSIS configuration file for deploying Alpha proprietary SNMP MIB parameters to field-installed DM3.0 Series Communications Modules.

The atidoc33.cfg file should be used if the following conditions are true:

1. Non-default settings, such as SNMP Trap Destination Addresses need to be distributed to all DM3X Transponders.
2. The operator does not desire to place Alpha-proprietary parameters into the modem's DOCSIS configuration file.



NOTICE:

The recommended method for setting the SNMP trap address(es) is through the modem DOCSIS configuration file (See **Section 3.3, The DOCSIS Configuration File**). Alpha-proprietary parameters may also be set through the modem's DOCSIS configuration file, eliminating the need for the atidoc33.cfg proprietary configuration file.

To build the atidoc33.cfg file, enter the desired SNMP OIDs and values from the Alpha MIB into a TLV file as TLV type-11 entries using a TLV editor (Refer to sample entries below). The DM3X proprietary configuration Setup file must be named "atidoc33.cfg" and placed in the root directory of the TFTP server. DM3X settings are updated according to values defined in this file at start up and after every 24 hours of operation.

Sample atidoc33.cfg Entries:

- Network Access Control (3) [Len - 1]: 1
- SNMP MIB Object (11) [Len = 24]: atiMgmtSnmpTrapAddress.1 / 10.20.30.40
- SNMP MIB Object (11) [Len = 24]: atiMgmtSnmpTrapAddress.2 / 10.20.30.50
- SNMP MIB Object (11) [Len = 23]: atiMgmtSysTamperPolarity.0 / 1

3.0 Network Configuration, continued

3.3.8 Changing Default atidoc33.cfg Download Settings

By default, the DM3X Transponder will download the atidoc33.cfg file from the provisioning TFTP server every 24 hours. However, these settings may be adjusted per the tables below by placing the respective SNMP varbinds into the modem's DOCSIS configuration file.

Default atidoc.cfg Download Settings				
Parameter	Type	Description	Value	
atiMgmtSysDownloadConfigName 1.3.6.1.4.1.926.1.3.2.1.9.0	Alphanumeric String	Name of proprietary configuration file	"atidoc33.cfg" (Default)	
atiMgmtSysDownloadReCfgTime 1.3.6.1.4.1.926.1.3.2.1.13.0	Integer	Download interval for atidoc33.cfg (hours)	24 (Default)	

Search Order	Parameter	Type	Description	Value
1	atiMgmtSysDownloadConfigAddress OID 1.3.6.1.4.1.926.1.3.2.1.10.0	IP Address	Overrides default location	0.0.0.0 (Default)
2	docsDevServerConfigTftpAddress 1.3.6.1.2.1.69.1.4.11.0	IP Address	Default location (no change necessary)	CM's TFTP Server Address
3	docsDevSwServerAddress 1.3.6.1.2.1.69.1.3.7.0	IP Address	Set via DOCSIS configuration file	Configurable
4	Software Upgrade Server	IP Address	Set via DOCSIS configuration file	Configurable

Table 3-5, Default atidoc33.cfg Download Settings

3.0 Network Configuration, continued

3.4 Setting Communication Options

Communications Settings may be changed through the Alpha MIB remotely using an SNMP MIB browser or automatically by placing the SNMP parameters into the DOCSIS Configuration File.

**NOTICE:**

Before setting options, verify UDP ports 37, 69, 161, 162 and TCP port 80 are not blocked.

Communications Parameters			
SNMP Parameter	Type	Description	Value
atiMgmtSnmpTrapOnNormal OID: 1.3.6.1.4.1.926.1.3.1.5.1.0	Integer	Send SNMP trap when alarmed condition returns to normal state	1 = Disabled 2 = Enabled (Default)
atiMgmtSysDownloadReCfgTime OID: 1.3.6.1.4.1.926.1.3.2.1.13.0	Integer	Download interval for DM3X-specific items in atidoc33.cfg config file (hours)	24 (Default)
atiMgmtSysSnmpTimeout OID: 1.3.6.1.4.1.926.1.3.1.5.3.0	Integer	Time DM3X will wait before reset if SNMP traffic is not detected (minutes)	240 (Default) Note: If set to zero, watchdog will be disabled.
atiMgmtSysHttpAccess OID: 1.3.6.1.4.1.926.1.3.2.2.4.1.0	Integer	HTTP Web Server	1 = Disabled 2 = Enabled (default)

Table 3-6, Communications Parameters

**NOTICE:**

The DM3X Transponder will inherit the cable modem community string settings provided by the DOCSIS Configuration File.

4.0 Web Interface

Overview

The DM3X provides an embedded Web server interface to allow operations personnel the ability to connect locally or remotely via TCP/IP over Ethernet with a laptop/computer to verify the status of common data points and to configure various operating parameters. Unless otherwise stated, data values shown in the figures throughout this section are shown for illustration purposes only.

4.1 Local Web Server Access

The DM3X Ethernet port (comparable to the Craft port on some transponder models) will typically be used as a local connection point allowing the user to connect directly to the DM3X Web server interface to verify/configure common communication parameters and view power supply status and battery values. The Ethernet port on the DM3X is a fully functional standard Ethernet port, capable of providing all the functionality of any standard Ethernet connection.

To access the DM3X Web server locally utilizing a Web browser, use the following procedure:



NOTICE:

The following Web Browser settings should be 'enabled' for proper rendering/download of the web pages:

- Java Script
- Cookies
- ActiveX Controls
- Downloads
- Active Scripting
- Show Pictures

These settings are typically enabled in the Web Browser by default.

1. Connect a standard Ethernet cable (CAT5) between the DM3X Ethernet port (ETH) and a laptop or computer's network interface port.
2. Launch a Web browser.
3. Enter the transponder's default IP address (192.168.100.1) or the DHCP assigned IP address into the Web browser's address field.
4. The transponder's Web server home page will appear (Fig. 4-1). Note: This may take up to 45 seconds when the transponder is initially powered up with no RF connection. Click the Language menu to select a desired language for the text information on the Web page. The language choices are English (default), Spanish, Portuguese, French & German.

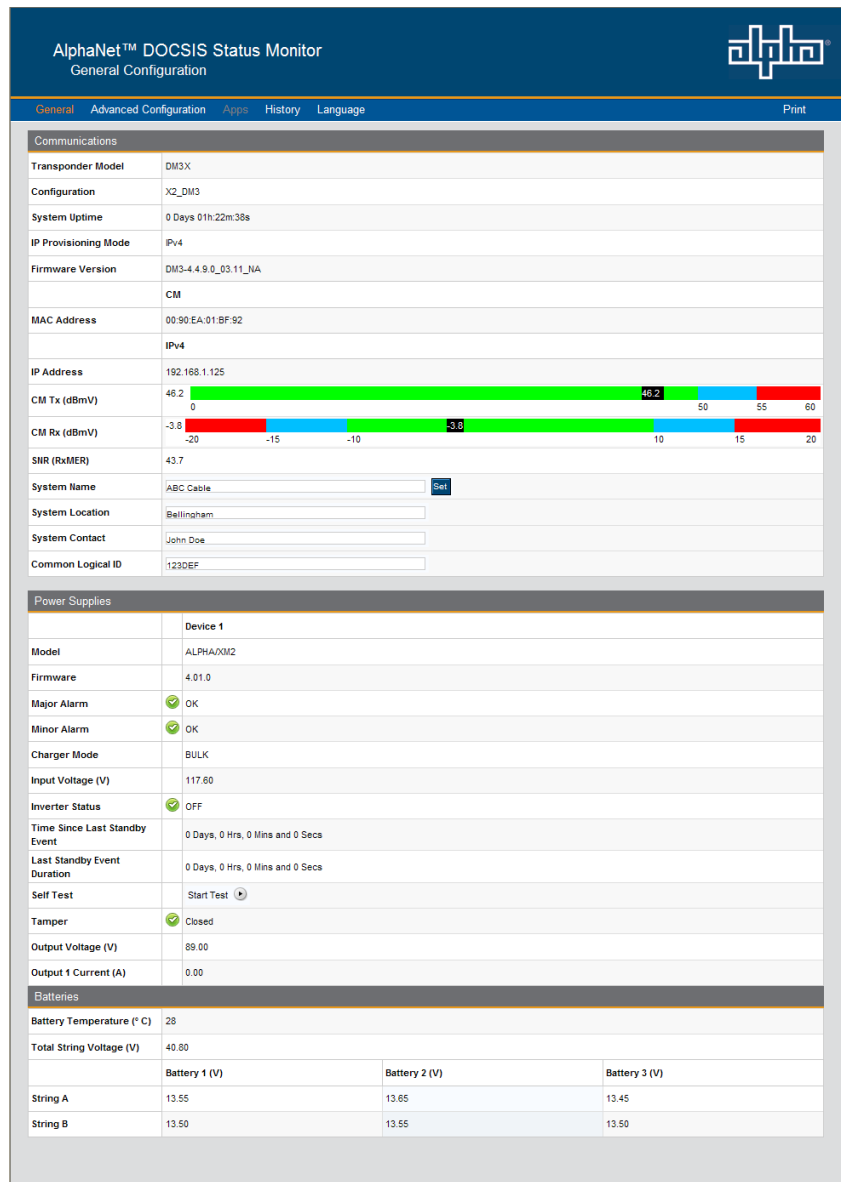
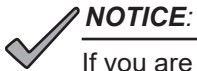


Fig. 4-1, DM3X Web Page

4.0 Web Interface, continued



NOTICE:

If you are unable to view the home page of the DM3X Transponder using IP address 192.168.100.1, the network configuration on the computer that is being used to connect to the DM3X Transponder may require a temporary static IP address (192.168.100.2) to be configured.

Use the following procedure to configure a static IP address on a laptop or computer with the Windows® 7 operating system:

1. Click the Start button (lower left button on most Windows® computers).
2. When the window pops up, click Control Panel (usually about half the way down the second column).
3. Click Network Connections.
4. Right-Click Local Area Connection link to open menu box.
5. Click the bottom option Properties.
6. You will see a dialog box much like Fig. 4-2; select Internet Protocol (TCP/IP) and then click the Properties button.

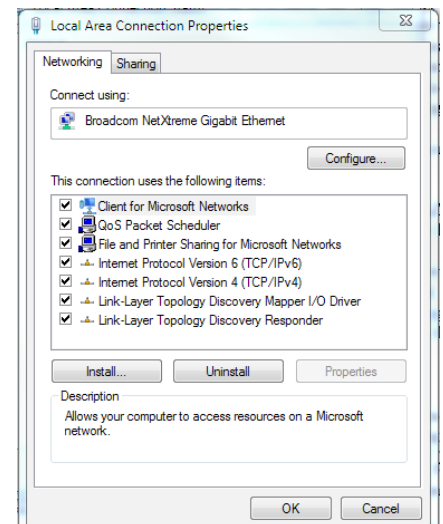
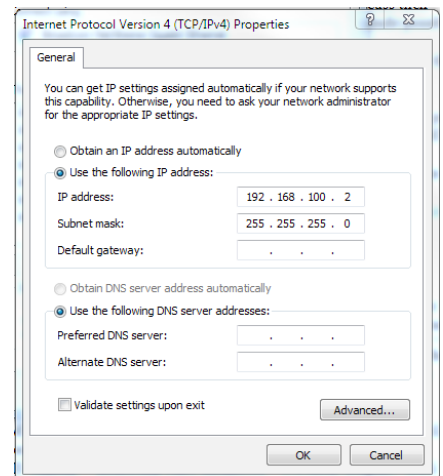


Fig. 4-2, Local Area Connection Properties Screen, Windows® 7

1. The Internet Protocol (TCP/IP) Properties dialog box will open (Fig. 4-3). Select "Use the following IP address". Enter the values as shown (i.e. IP address 192.168.100.2, or DHCP assigned IP address, and Subnet mask 255.255.255.0). Record the existing IP address and Subnet mask in order to later return the computer to its original state.
2. Click the OK button and try to connect to the DM3X once again using 192.168.100.1 in the Web browser.
3. To restore network settings, repeat Steps 1 through 6 but in step 7 click check box for "Obtain IP address automatically or, manually set back to the original settings recorded in Step 7.

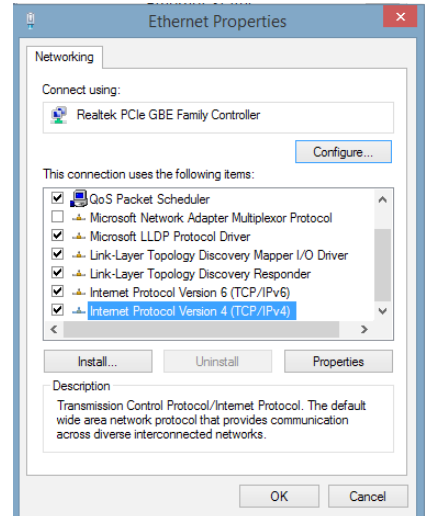


1. Fig. 4-3, Internet Protocol (TCP/IP) Properties Screen, Windows® 7

4.0 Web Interface, continued

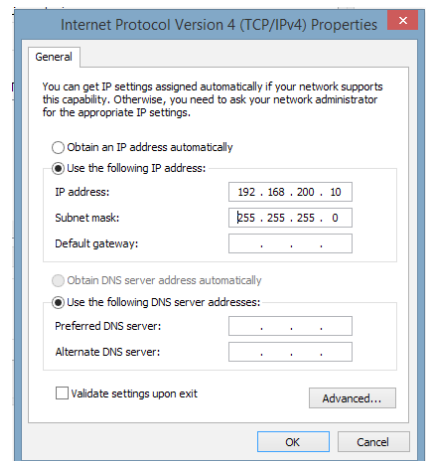
Use the following procedure to configure a static IP address on a laptop or computer with the Windows® 8 operating system:

1. Click the Start button (lower left button on most Windows® computers).
2. When the window pops up, click Control Panel (usually about half the way down the second column).
3. Click Network and Sharing Center.
4. Click Local Area Connection.
5. Click the Properties button.
6. You will see a dialog box much like Fig. 4-4; click Internet Protocol (TCP/IPv4) and then click the Properties button.



1. Fig. 4-4, Local Area Connection Properties Screen, Windows® 8

1. The Internet Protocol (TCP/IP) Properties dialog box will open (Fig. 4-5). Select "Use the following IP address". Enter the values as shown (i.e. IP address 192.168.100.2 and Subnet mask 255.255.255.0). Record the existing IP address and Subnet mask in order to later return the computer to its original state.
2. Click the OK button and try to connect to the DM3X once again using 192.168.100.1 in the Web browser.
3. To restore network settings, repeat Steps 1 through 6 but in step 7 click check box for "Obtain IP address automatically or, manually set back to the original settings recorded in Step 7.



1. Fig. 4-5, Internet Protocol (TCP/IP) Properties Screen, Windows® 8

4.0 Web Interface, continued

4.2 Remote Web Server Access

To remotely access the DM3X Web server utilizing a Web browser, use the following procedure:



NOTICE:

For Web server (HTTP) access, port 80 must not be blocked and the computer must have access to the private cable modem network

1. Connect the laptop or computer's network interface port to the company's Ethernet network.
2. Open a Web browser.
3. Enter the DM3X DHCP designated IP address (e.g., 192.168.1.124) into the Web browser's address field. Use square brackets when entering IPv6 IP addresses (e.g. [FC00:168:40::124]) into the Web browser's address field.
4. The DM3X Web server home page will appear (Fig. 4-6).
5. Click on the Language menu to select a desired language for the text information on the Web page. The language choices are English (default), Spanish, Portuguese, French and German.

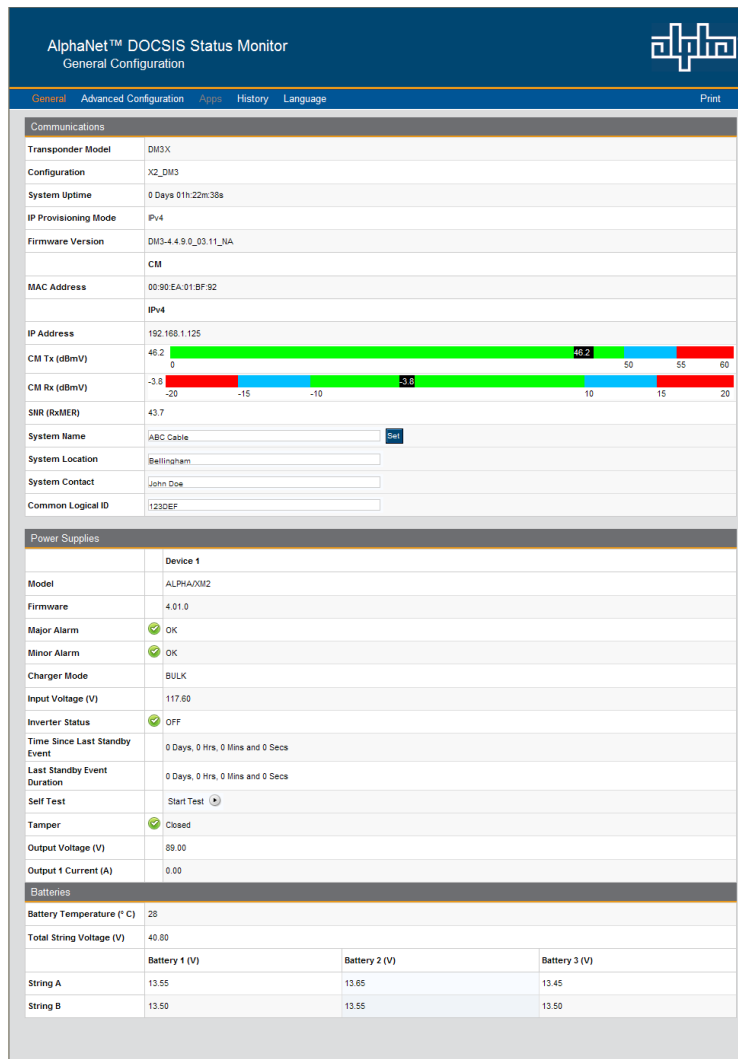


Fig. 4-6, Web Server Home Page

4.0 Web Interface, continued

4.3 Navigating the Web Page

Once the Web page has been successfully accessed, the operator is able to select a link on the header bar and the page specific to the topic will open enabling real-time data to be observed.

See Fig. 4-7 for the navigation bar items.

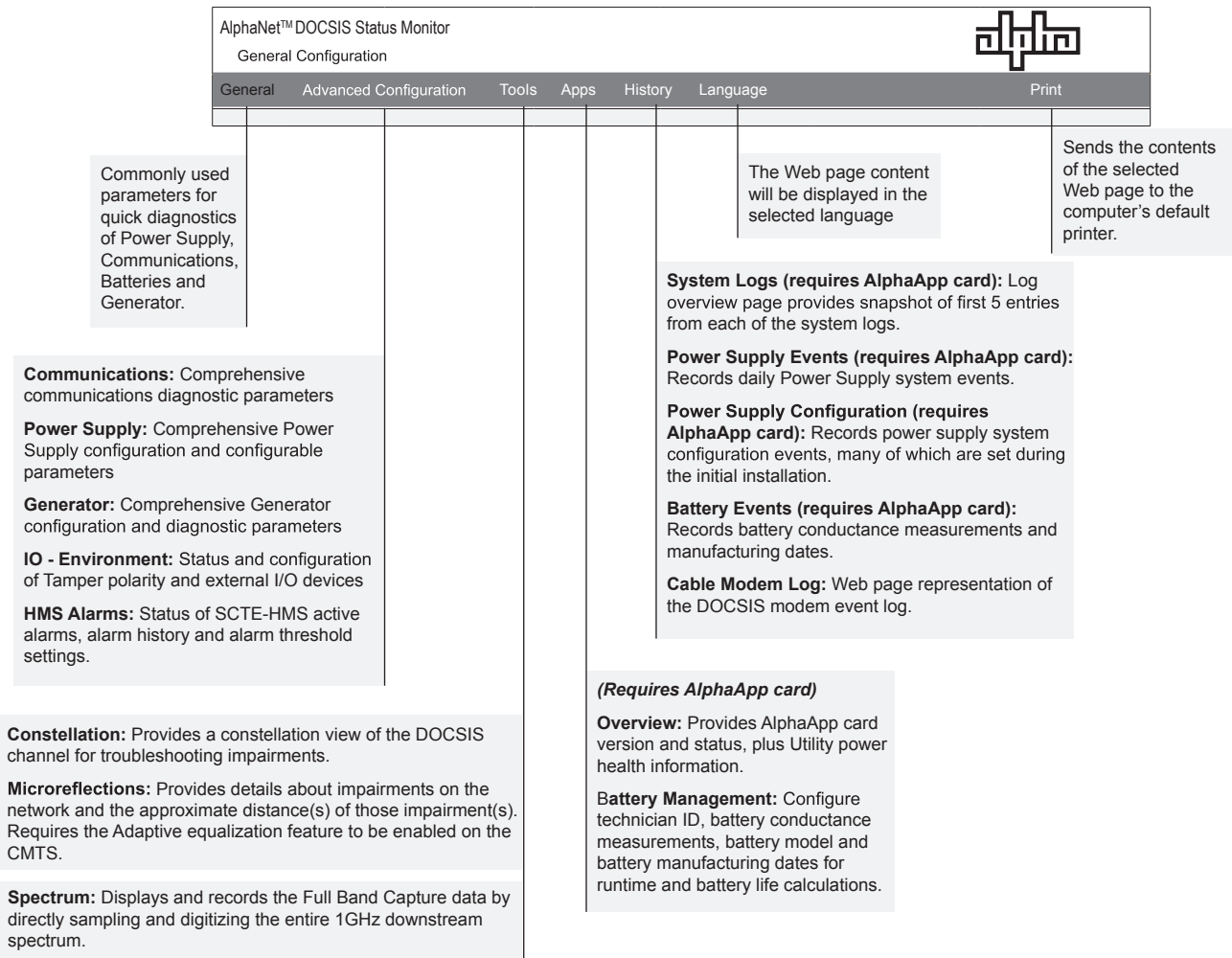


Fig. 4-7, Navigation Bar Items

4.0 Web Interface, continued

4.3.1 Web Interface Security Levels

The DM3X has two levels of function-specific security. General operations are Level 1. Configuration-related functions are Level 2. Refer to Table 4-1 for default User Name and Security Passwords.

DM3.0 Series Transponder Web Page Security		
OID	Function	Value
1.3.6.1.4.1.4413.2.2.2.1.1.3.3.0	Level 1 User Name	Alpha
1.3.6.1.4.1.4413.2.2.2.1.1.3.4.0	Level 1 Security Password	AlphaGet
1.3.6.1.4.1.4413.2.2.2.1.1.3.1.0	Level 2 User Name	Alpha
1.3.6.1.4.1.4413.2.2.2.1.1.3.2.0	Level 2 Security Password	AlphaSet

Table 4-1, DM3X Web Page Security

DM3.0 Series Transponder Security Levels		
Web Page	Function	Security Level
General	System Name, System Contact, System Location, Common Logical ID	1
	Power Supply Self-Test	1
	Generator Self-Test	1
Advanced Communications	Reset Transponder	1
	Provisioning Mode - Single IP or Dual IP	2
	Configure Proprietary Trap Addresses	2
Advanced Power Supply	Power Supply Self-Test	1
	Configure / Save	2
	Reset Output 1 / 2	2
Advanced Generator	Generator Self-Test	1
	Reset Latched Alarms	1
Modem Log [Event Log]	Reset Log	1
Advanced I/O	Tamper Switch Polarity	1
	Enclosure Heater / Controller Installed	1
HMS Alarms	Export Alarm Cloning File	2
Constellation	Number of Samples	2

Table 4-2, DM3X Security Levels

4.0 Web Interface, continued

4.4 Verifying Communication Parameters

Click the General menu of the web page to display common communication settings and values. Click the Advanced Communication menu to view additional communication parameters.

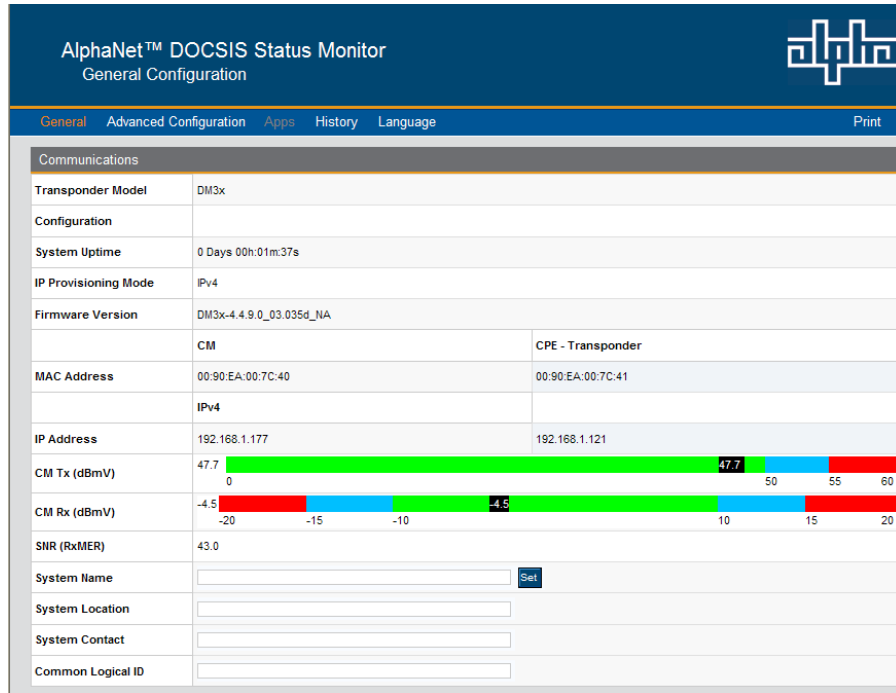


Fig. 4-8, Communication Parameters

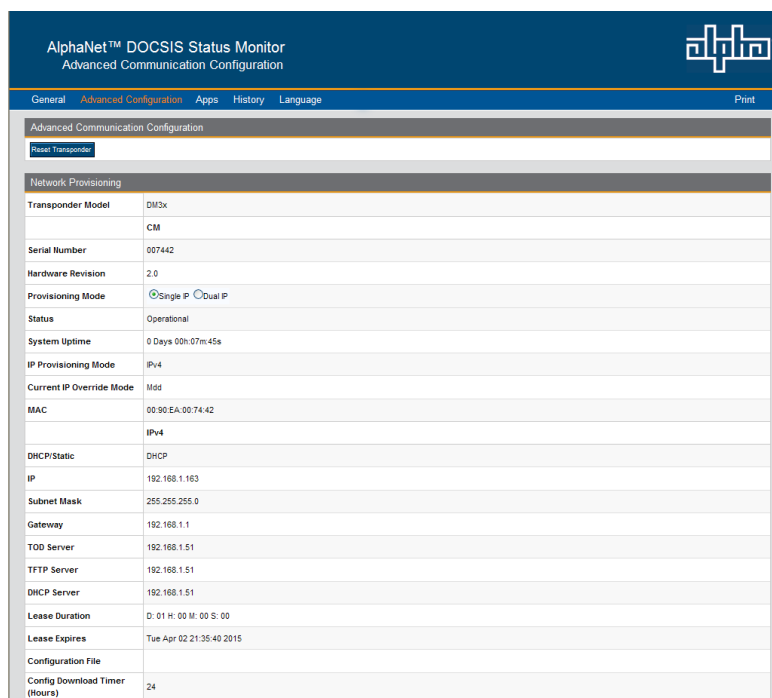


Fig. 4-9, Advanced Communication Parameters

4.0 Web Interface, continued

4.5 Verifying Power Supply and Battery Parameters

Click the General menu to access Power Supply and individual battery voltage values. Important parameters such as current alarm status, inverter status and tamper status can be quickly verified on this page. Additional power supply parameters can be viewed and configured on the Power Supply page located in the Advanced Configuration menu.

Power Supplies			
	Device 1		
Model	ALPHA/PS MODEL NOT SET		
Firmware	V7.09.0		
Major Alarm	OK		
Minor Alarm	OK		
Operational Mode	LINE		
Charger Mode	Float		
Input Voltage (V)	120.00		
Inverter Status	OFF		
Time Since Last Standby Event	0 Days, 0 Hrs, 0 Mins and 0 Secs		
Last Standby Event Duration	0 Days, 0 Hrs, 10 Mins and 8 Secs		
Self Test	Start Test		
Tamper	Closed		
Output Voltage (V)	87.00		
Output 1 Current (A)	11.60		
Output 2 Current (A)	0.00		
Batteries			
Battery String Runtime Remaining	Calculating		
Battery Balancing	Balancing String A		
Battery Temperature (° C)	15		
Total String Voltage (V)	41.20		
	Battery 1 (V)	Battery 2 (V)	Battery 3 (V)
String A	13.90	13.90	13.90
String B	13.90	13.90	13.80

Fig. 4-10, Power Supply and Battery Parameters

4.6 Remote Self-Tests via the Web Page

Remote Self-Tests on power supplies may be started and stopped via the transponder Web page. This requires a Level 1 login. Refer to Section 4.3.1, Web Interface Security Levels for User Name and Security Password.

To launch a remote Self-Test, click the Start Test button seen in Fig. 4-10.

To stop a remote Self-Test before the predefined test duration, click the Stop Test button.

4.0 Web Interface, continued

4.7 Viewing HMS Alarm Status via the Web Page

HMS alarms levels and current states may be viewed by clicking on the HMS Alarms link on the Advanced Configuration menu (see Fig. 4-11). Parameter values cannot be edited on this Web page. An SNMP MIB browser or status monitoring software may be used for such edits.

Alarms settings may be exported by selecting the Export button at the bottom of the page. Alarms settings may be distributed to other DM3X units. For more details, refer to the DM3 Alarm Cloning and Distribution section under Section 6.2.1, SCTE-HMS Configurable Alarms.

AlphaNet™ DOCSIS Status Monitor HMS Alarm Configuration							
General Advanced Configuration Tools Apps History Language Print							
Active HMS Alarms							
Parameter Name	Current Alarm State	Current Alarm Value	Time of Alarm				
PS Device 1							
psTamper.1	Discrete Major	2	Mon Apr 01 21:49:57 2015				
HMS Alarm History							
Parameter OID	Alarm State	Alarm Value	Time of Alarm				
PS Device 1							
psTamper.1	Discrete Major	2	Mon Apr 01 21:49:57 2015				
Property Table							
Parameter OID	Current Alarm State	Alarm Enable	Major High	Minor High	Minor Low	Major Low	Alarm Dead Band
PS Device 1							
psOutputVoltage.1	Nominal	0x00	0	0	0	0	0
psInputVoltage.1	Nominal	0x00	0	0	0	0	0
psTotalStringVoltage.1	Nominal	0x00	0	0	0	0	0
psPowerOut.1	Nominal	0x00	0	0	0	0	0
psFrequencyOut.1	Nominal	0x00	0	0	0	0	0
psRMSCurrentIn.1	Nominal	0x00	0	0	0	0	0
psPowerIn.1	Nominal	0x00	0	0	0	0	0
psStringChargeCurrent.1.1	Nominal	0x00	0	0	0	0	0
psStringChargeCurrent.1.2	Nominal	0x00	0	0	0	0	0
psStringDischargeCurrent.1.1	Nominal	0x00	0	0	0	0	0
psStringDischargeCurrent.1.2	Nominal	0x00	0	0	0	0	0
psStringFloat.1.1	Nominal	0x00	0	0	0	0	0
psStringFloat.1.2	Nominal	0x00	0	0	0	0	0
psOutputCurrent.1.1	Nominal	0x00	0	0	0	0	0
psOutputCurrent.1.2	Nominal	0x00	0	0	0	0	0
psTemperature.1.1	Nominal	0x00	0	0	0	0	0
psBatteryVoltage.1.1.1	Nominal	0x00	0	0	0	0	0
psBatteryVoltage.1.1.2	Nominal	0x00	0	0	0	0	0
psBatteryVoltage.1.1.3	Nominal	0x00	0	0	0	0	0
psBatteryVoltage.1.2.1	Nominal	0x00	0	0	0	0	0
psBatteryVoltage.1.2.2	Nominal	0x00	0	0	0	0	0
psBatteryVoltage.1.2.3	Nominal	0x00	0	0	0	0	0
Transponder							
docaIDDownChannelPower.3	Nominal	0x00	150	100	-100	-150	15
docaIDCmStatusTxPower.2	Nominal	0x00	550	500	0	0	15
atIBBSysViewTimeInStandby.0	Nominal	0x00	0	0	0	0	0

Parameter OID	Current Alarm State	Alarm Value	Alarm Enable
PS Device 1			
psInverterStatus.1	Nominal	1	Disabled
psInverterStatus.1	Nominal	2	Disabled
psInverterStatus.1	Nominal	3	Disabled
psInverterStatus.1	Nominal	4	Disabled
psInverterStatus.1	Nominal	5	Disabled
psMajorAlarm.1	Nominal	1	Disabled
psMajorAlarm.1	Nominal	2	Disabled
psMinorAlarm.1	Nominal	1	Disabled
psMinorAlarm.1	Nominal	2	Disabled
psTamper.1	Nominal	1	Disabled
psTamper.1	Discrete Major	2	Enable Major
psInputVoltagePresence.1	Nominal	1	Disabled
psInputVoltagePresence.1	Nominal	2	Disabled
Transponder			
commonCraftStatus.0	Nominal	1	Disabled
commonCraftStatus.0	Nominal	2	Disabled
atIMgmtSysIOPinCtrl.0	Nominal	1	Disabled
atIMgmtSysIOPinCtrl.0	Nominal	2	Disabled
atIMgmtSysIOPin4.0	Nominal	1	Disabled
atIMgmtSysIOPin4.0	Nominal	2	Disabled
atIMgmtSysIOPin5.0	Nominal	1	Disabled
atIMgmtSysIOPin5.0	Nominal	2	Disabled
atIMgmtSysIOPin6.0	Nominal	1	Disabled
atIMgmtSysIOPin6.0	Nominal	2	Disabled
tbcControlMode.1	Nominal	1	Disabled
tbcControlMode.1	Nominal	2	Disabled
tbcControlMode.1	Nominal	3	Disabled
atIBBSysAppaBattStandbyTimeRemaining.0	Nominal	1	Disabled
atIBBSysAppaBattStandbyTimeRemaining.0	Nominal	2	Disabled
atIBBSysAppaBattStandbyTimeRemaining.0	Nominal	3	Disabled
atIBBSysAppaBattStandbyTimeRemaining.0	Nominal	4	Disabled
atIBBSysAppaBattStandbyTimeRemaining.0	Nominal	5	Disabled
atIBBSysAppaBattStandbyTimeRemaining.0	Nominal	6	Disabled
Alarm Configuration			
Alarm Settings <input type="button" value="Export"/>			

Fig. 4-11, HMS Alarm Configuration

4.8 Setting the I/O Controller via the Web Page

Access the I/O Environment page in the Advanced Configuration menu to adjust the settings for the Tamper Switch and I/O Controller. The Tamper Switch polarity may be changed by clicking on the preferred tamper switch polarity button. The I/O Controller section provides a user interface to select the type of device that will be connected and monitored via the ENV connector of the transponder. An example of such a device would be the battery heater mat controller.

AlphaNet™ DOCSIS Status Monitor
Advanced I/O Controller

General **Advanced Configuration** Apps History Language Print

Tamper

	Status
Tamper Switch Status	Open
Tamper Switch Polarity	<input type="radio"/> Default <input checked="" type="radio"/> Reversed

I/O Controller

Connected Device(s) Heater / Cooler Only

	Status	Temperature	Hysteresis	Timer	Countdown
Heater	Inactive	0	1	30	0

Contact Polarity Default Reversed

Pin 3 - Open/Close Control	Open
Pin 4 - Open/Close Sense	Open
Pin 5 - Open/Close Sense	Open
Pin 6 - Open/Close Sense	Open
Pin 7 - Open/Close Control	Open
Pin 8 - Open/Close Sense	Open

Fig. 4-12, Advanced I/O Controller Status Screen

4.0 Web Interface, continued

4.9 Viewing and Configuring Power Supply Settings via the Web Page

Click the Advanced Configuration menu and select Power Supplies to view connected power supply parameters. The power supply parameters with a formatted text box or a menu around the value can be configured. Click the Start Test button to remotely initiate power supply tests. When prompted, refer to Section 4.3.1, Web Interface Security Levels for the applicable User Name and Security Password.

The screenshot shows the AlphaNet™ DOCSIS Management Hub interface for Advanced Power Supply configuration. The top navigation bar includes 'General', 'Advanced Configuration', 'Tools', 'Apps', 'History', and 'Language'. The 'Advanced Configuration' menu is active.

Hardware and Firmware Section:

	Firmware	Serial Number	Part Number	Hardware ID	Configuration
Power Supply 1 - XM3-918D-HP					
Transformer Module		A21235F1900832	017-893-20-001		XM3C26RC183CU 20031-2L-
Transformer		070901314F600001	241-193-19-001 A		
Power Distribution Board		A212337F19C0454	70486920001B ...	2	
Ferro Capacitor		1002006687057-2			
EMI Board		A212338F19Q0872	704-896-20-001 A		
Inverter Module		A212335F1900832	746-173-22-001		XM3C26RC183CU 20031-2L-
Inverter PCBA		A212335F19B1083	70486320001E ...	1	
Micro PCBA	FW V1.11.0.J	A212335F19A0206	7048720001F ...	257	
Optional Components					
DM3u	DM3u-5.7 Imp1_01_055_01_014-NA	181022			
Dual Output Controller	DOC FW V1.04.0	DOC SIN NOT SET	DOC PIN NOT SET	10	
Battery Balancer	SAG FW V1.07.3	A212333F19N2234	70487421001A ...	34	
Apps Card	APP FW V1.09.0D	A21234F19S3026	70487920001H ...	10	

Configuration and Data Section:

Configure / Cancel / Save

Power Supply

Power Supply Language: English

Device 1

Power Supply Model: XM3-918D-HP

Power Supply Major Alarms: OK

Power Supply Minor Alarms: OK

Operational Mode: Line

Set Power Supply Defaults:

Device Address: 1

Power Supply Priority Level: Normal

Last Reset Reason: REPRGRM

AlphaBus Speed: 57.6 AB

Input

AC Line Mode: OK

Input Voltage (V): 121.20

Input Freq (Hz): 60.00

Input Current (A): 9.80

Input Power (W): 1150.00

Tap Status: Normal

General IPU Status: OK

Input Frequency Range (Hz): 9.00

Fig. 4-13, Advanced Power Supply Settings Screen

4.0 Web Interface, continued

Input Current Limit (A)	<input type="text" value="16.00"/>
Inverter	
Inverter Status	OFF
Inverter Enable	Enabled
End of Discharge Type	<input type="text" value="String"/>
End of Discharge (V/C)	<input type="text" value="1.70"/>
Standby Events - Inverter	19
Time Since Last Standby Event	0 Days, 0 Hrs, 0 Mins and 0 Secs
Last Standby Event Duration	0 Days, 0 Hrs, 10 Mins and 8 Secs
Total Time in Standby - Inverter (Minutes)	529
Total Run Time - Inverter (Days)	525
Resettable Standby Counters	
Standby Events Since Reset	
Time in Standby Since Reset (Minutes)	
Time Since Reset - (Days)	<input type="button" value="Reset"/>
Battery Charging	
Battery String Voltage (V)	41.20
Battery String Runtime Remaining	Calculating
Charger Mode	Float
Time Running in Current Charger Mode	4 Days, 19 Hrs, 53 Mins and 0 Secs
24 Hour Battery Refresh	<input checked="" type="radio"/> Disabled <input type="radio"/> Enabled
Battery Temperature (° C)	15
Charger Current (A)	0.50
Charger Current Limit (A)	10.50
Charger Enable	Enabled
Battery Discharge Current (A)	0.00
Battery Model	<input type="text" value="4.0HP"/>
Charger Accept Voltage (V/C)	<input type="text" value="2.35"/>
Charger Float Voltage (V/C)	<input type="text" value="2.25"/>
Charger Refresh Voltage (V/C)	<input type="text" value="2.45"/>
Charger Temperature Compensation (mV)	<input type="text" value="4.00"/>
HP Battery Rest Charger Mode	<input type="radio"/> Disabled <input checked="" type="radio"/> Enabled
Battery Capacity (AH)	<input type="text" value="114"/>
Number of Battery Strings	<input type="text" value="2"/>
Heater Mat Installed	<input type="radio"/> Not Installed <input type="radio"/> Installed
Battery Balancing	<input checked="" type="checkbox"/> Balancing String A

Fig. 4-13, Advanced Power Supply Settings Screen, Continued



NOTICE:

When the Battery Model is set to “Other”, the battery charging parameters such as charger voltages, battery capacity, and temperature compensation can be customized, otherwise default values are populated for Alpha supported batteries. For systems with more than one power supply, the master unit will override the charger parameter settings.

4.0 Web Interface, continued





Self Test	
Self Test	Start Test 
Deep Discharge Cycle (%)	Timed 
Test Countdown (Days)	18 <input type="text"/>
Test Duration (Minutes)	180 <input type="text"/>
Test Interval (Days)	30 <input type="text"/>
Test Inhibit	OFF 
Output	
Output Voltage (V)	87.00
Output 1 Current (A)	11.60
Output 2 Current (A)	0.00
Output Power Real (Watts)	1010
Output Setting	90 Volts
Output Regulation	Fine 
Reset Output 1	<input type="button" value="Reset"/>
Reset Output 2	<input type="button" value="Reset"/>
Overcurrent Tolerance (mSec)	3000 <input type="text"/>
Output 1 Overcurrent Trip Level (A)	18.00 <input type="text"/>
Output 2 Overcurrent Trip Level (A)	18.00 <input type="text"/>
Retry Delay (Seconds)	60 <input type="text"/>
Retry Limit	20 <input type="text"/>
<input type="button" value="Download Diagnostics Log (CSV)"/>	

Fig. 4-13, Advanced Power Supply Settings Screen, Continued

4.0 Web Interface, continued

4.10 Viewing and Configuring Generator Settings Via the Web Page

When a permanent, fixed generator is connected to a DM3X, the generator page listed in the Advanced Configuration menu will populate a list of the various parameters and alarm statuses. Generator Self-Tests may be remotely started by clicking on the Start Test button. When prompted, refer to Section 4.3.1, Web Interface Security Levels for User Name and Security Password.

The screenshot displays the 'AlphaNet™ DOCSIS Status Monitor' interface for an 'Advanced Generator'. The top navigation bar includes 'General', 'Advanced Configuration', 'Apps', 'History', and 'Language', with a 'Print' button on the right. The main content area is titled 'Advanced Generator' and is divided into several sections:

- Status:** A table showing key parameters:

Firmware Version	CODE VER 1.29.0
Generator Status	RUNNING - AC Line Fail
Engine Enable/Disable	ENABLED
Engine Run Time (dHR)	820
- Engine Status / Alarms:** A table with two columns: 'Engine Status / Alarms' and 'Settings'.

Engine Status / Alarms	Settings
Reset Latched Alarms <input type="button" value="Reset Latched Alarms"/>	
AC Line Status ! LOST	Start Delay (Sec) 180
AC Line Voltage (Vac) 0.00	Cool-Down Period (Sec) 720
DC Bus Status ✓ OK	Low DC Bus Level (Vdc) 35.00
DC Bus Voltage (Vdc) 38.00	Hi DC Bus Level (Vdc) 45.00
Over Voltage ✓ OK	Over-voltage Duration (SEC) 5
Self Test Alarm ✓ OK	Automatic Test Interval (HR) 30
Generator Control Start Test <input type="button" value="Start Test"/>	Test Countdown (Hr) 136
	Test Duration (Min) 15
Low Ignition Battery ✓ OK	
Ignition Battery Voltage (Vdc) 13.88	
Service Required ! YES	Service Interval (HR) 100
	Service Due (HR) 0
Low Oil Pressure ✓ OK	
High Engine Temperature ✓ OK	
Over Speed ✓ OK	
Over Crank ✓ OK	
Low Fuel Level ✓ OK	
- CONTROL ALARMS:** A table showing control-related alarms:

Control Fail ✓ OK
RAS Switch ✓ AUTO
- Enclosure Alarms:** A table showing enclosure-related alarms:

Gas Hazard (LEL) ✓ OK
Water Intrusion ✓ OK
Pad Shear ✓ OK
Tamper ✓ OK

Fig. 4-14, Advanced Generator Status Screen

4.0 Web Interface, continued

4.11 Tools Menu - Constellation and Microreflections

The Web Page of the DM3X provides some basic tools for analyzing impairments on the DOCSIS network. The “Tools” menu selection on the Web page provides access to the Constellation, Microreflections, and Spectrum tools.

4.11.1 QAM Constellation Tool

The Constellation page provides a constellation view of the DOCSIS channel that may assist in identifying and troubleshooting common network impairments.

Navigate the mouse pointer to the Tools menu item and select “Constellation” in the drop-down menu to open and start the Constellation page. The page will automatically refresh until the Samples Remaining counter reaches 0. Clicking the Restart button refreshes the constellation tool, and clicking the Stop button halts the analysis.

The number of samples can be changed from 100 (default) on the sampling control to either 150 or 50 for more or less sample rates. For User Name and Password refer to Section 4.3.1, Web Interface Security Levels.

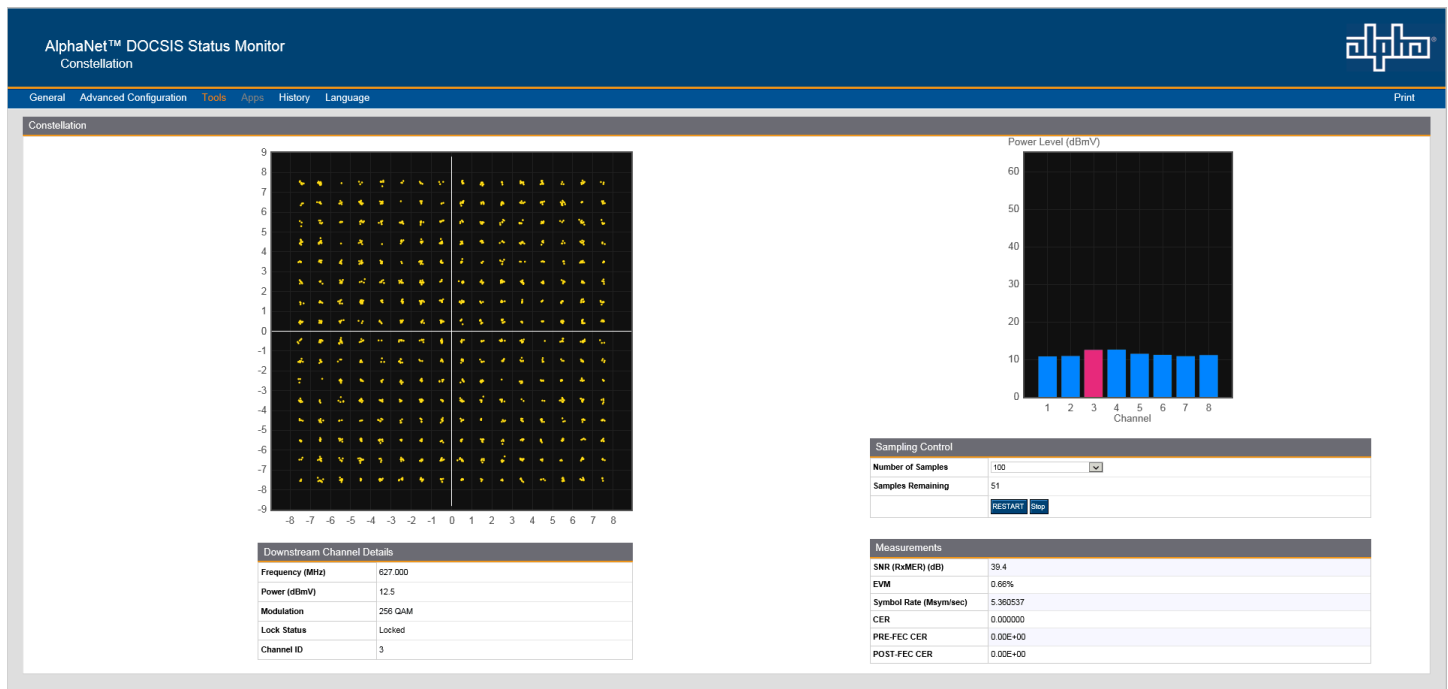


Fig. 4-15, QAM Constellation Tool

4.0 Web Interface, continued

The tables on the right-hand side of the screen provide a summary of common parameters associated with QAM Constellation analysis. Here's a breakdown of the parameters listed:

- Frequency - The tuned downstream frequency given in MHz.
- Power – Downstream power given in dBmV.
- Modulation – Modulation type associated with the downstream channel.
- Lock Status – Current cable modem connectivity state.
- Channel ID – CMTS identification of the downstream channel within this particular MAC interface.
- SNR / (RxMER) – Downstream signal quality. Modulation Error Ratio (SNR)
- EVM – Error Vector Magnitude (from hardware MER (Modulation Error Ratio) / software MER).
- Symbol Rate – Msym/sec
- CER Interval – Codeword Error Rate (CER) refresh rate.
- Pre FEC CER – Codeword Error rate (CER) BEFORE forward error correction is applied.
- Post FEC CER – Codeword Error rate (CER) AFTER forward error correction is applied.

4.11.2 QAM Constellation Common Impairments

Several common impairments tend to reveal themselves on the constellation display which can help determine the cause of the reduced MER levels. Below are examples of several of these common impairments and their footprints.

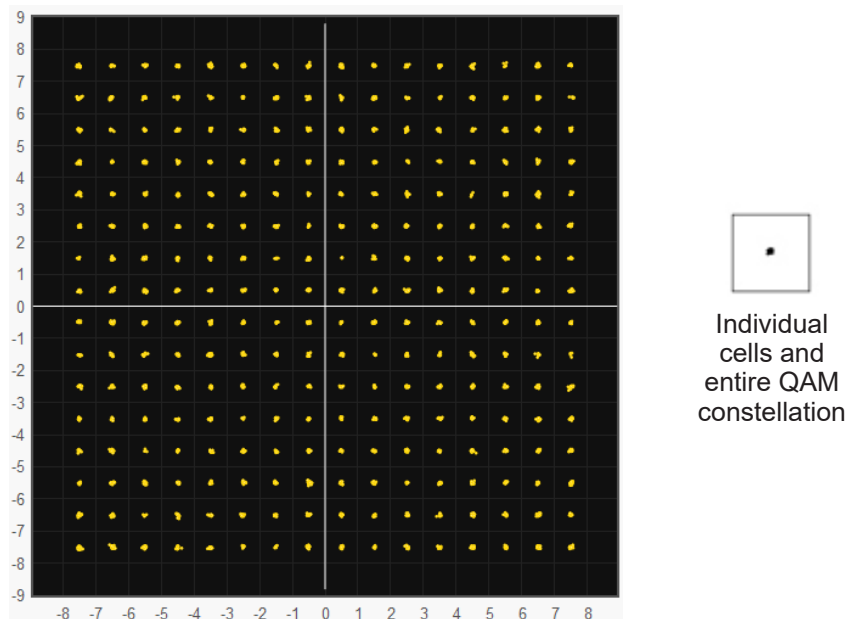


Fig. 4-16, Normal - (Good Quality) and Individual Cell Characteristics

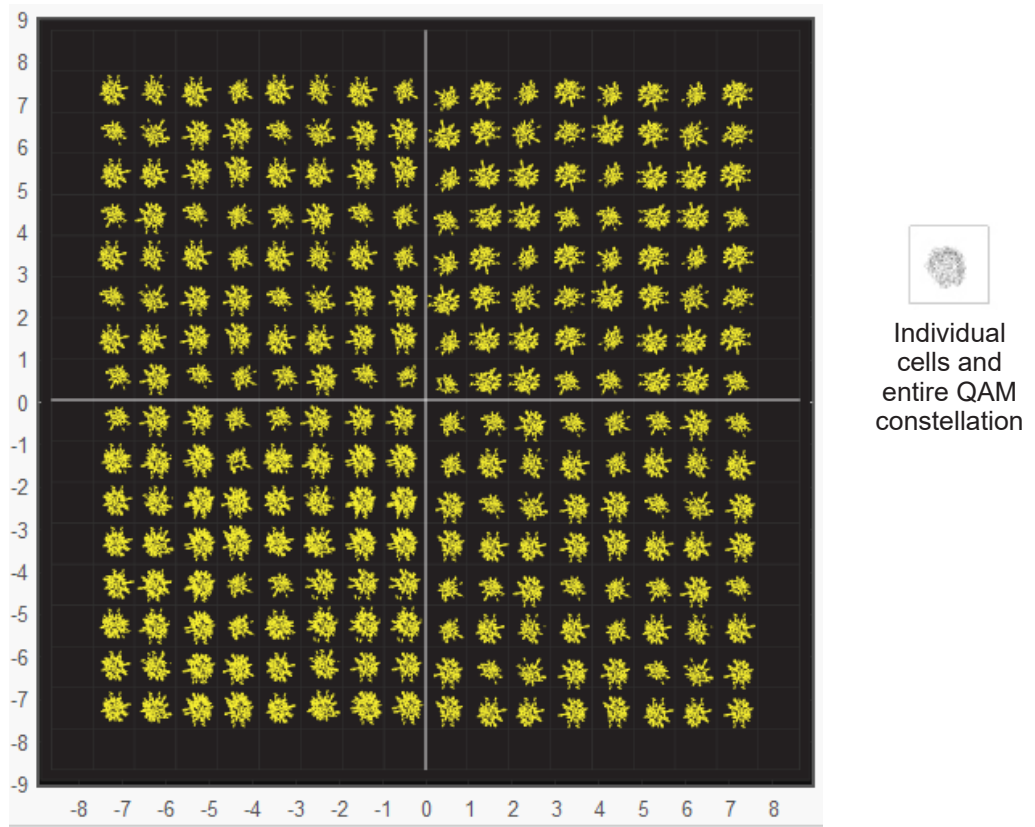


Fig. 4-17, Fuzzy (Low CNR and/or Low MER) and Individual Cell Characteristics

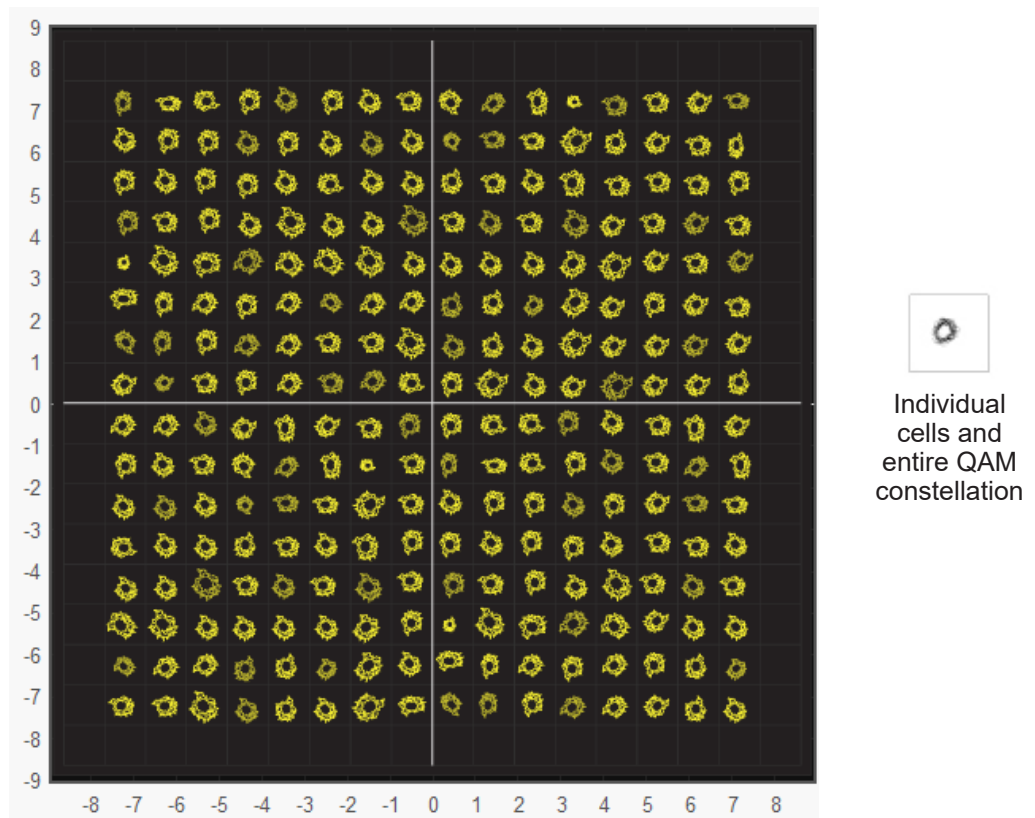


Fig. 4-18, Doughnuts (Coherent Interference) and Individual Cell Characteristics

4.0 Web Interface, continued

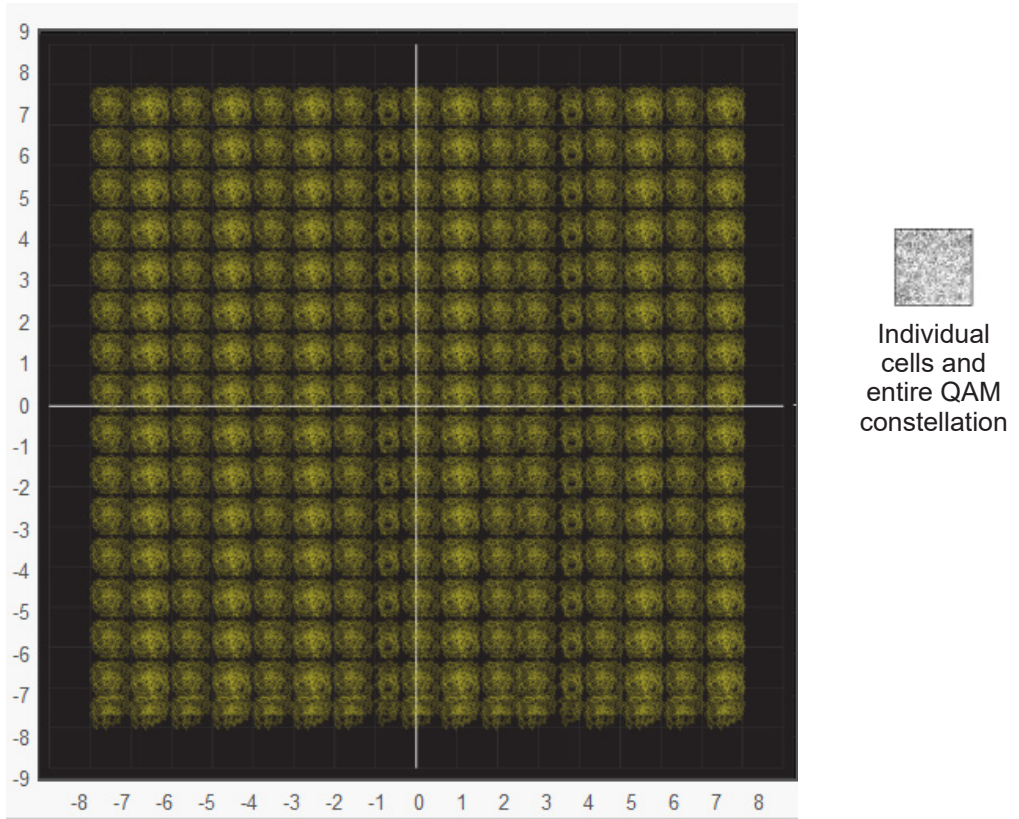


Fig. 4-19, Gaussian Noise and Individual Cell Characteristics

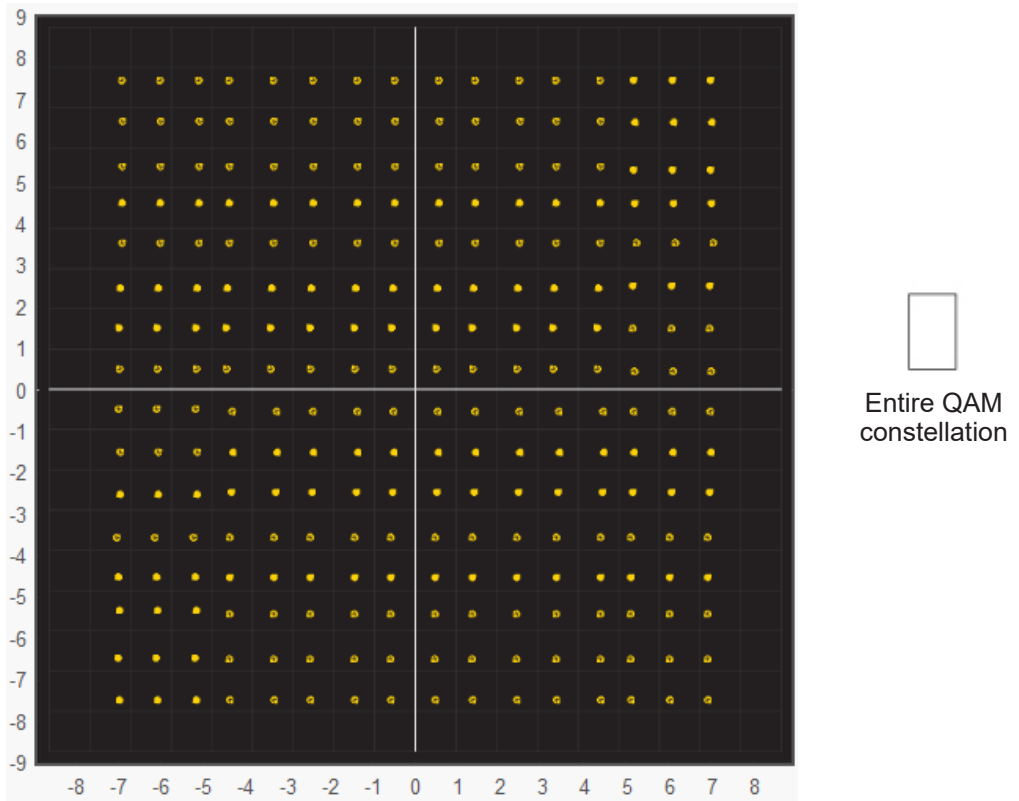


Fig. 4-20, Rectangular vs. Square (I-Q Imbalance) and Entire Constellation Shape

4.0 Web Interface, continued

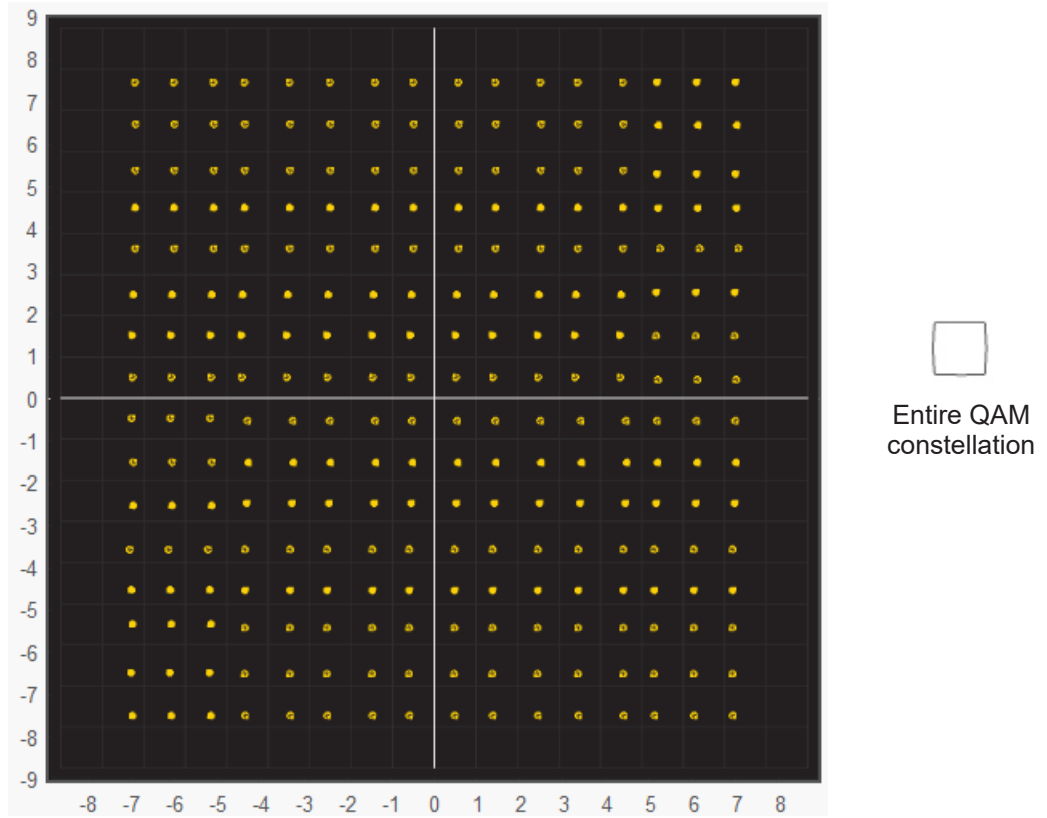


Fig. 4-21, Corners Squeezed to Center (Gain Compression) and Entire Constellation Shape

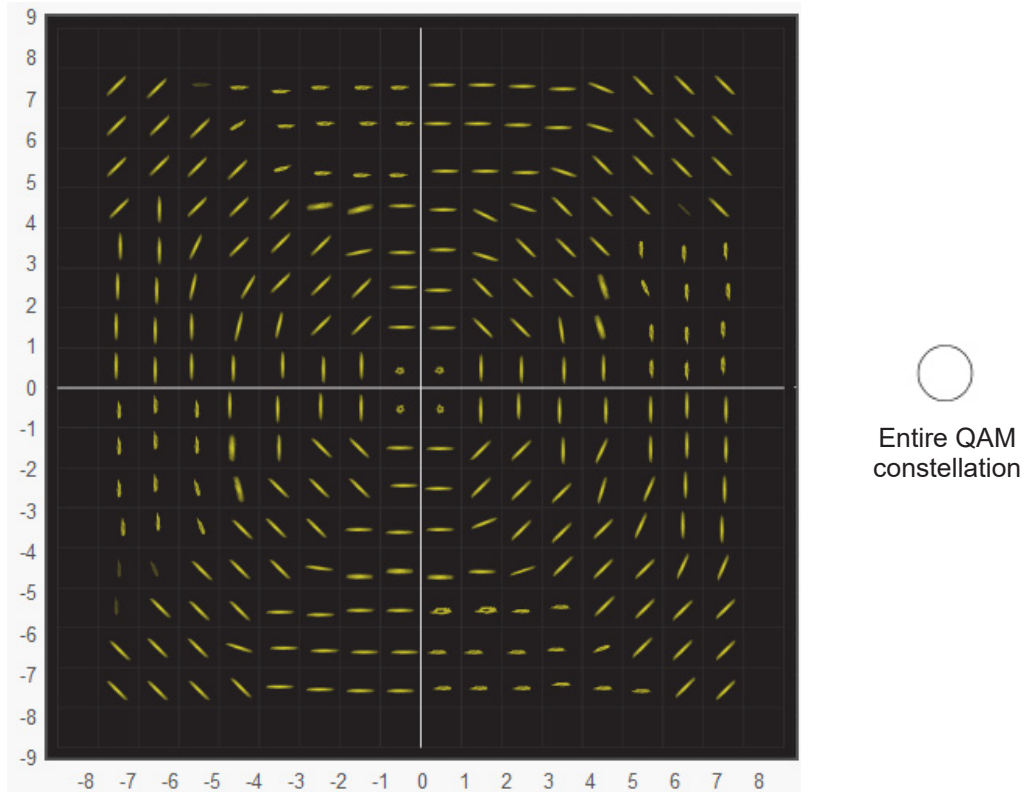


Fig. 4-22, Circular Smear (Phase Noise) and Entire Constellation Shape

4.0 Web Interface, continued

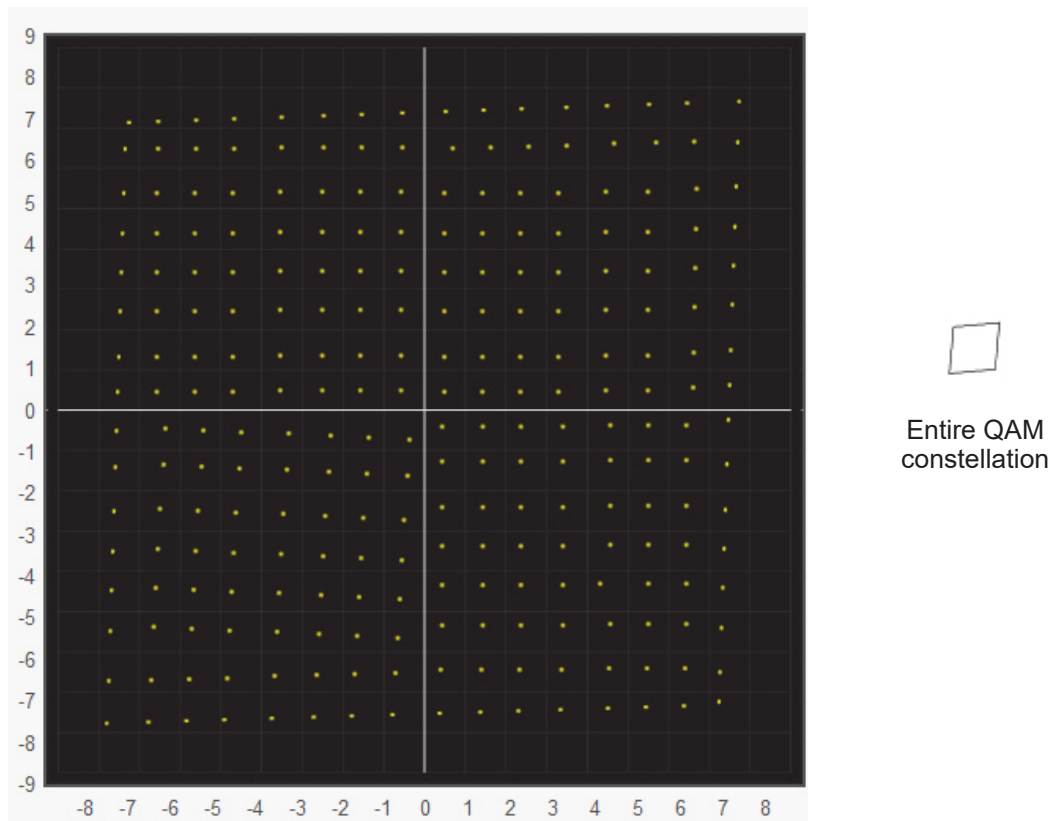


Fig. 4-23, Twisted or Skewed (Quadrature Distortion) and Entire Constellation Shape

4.0 Web Interface, continued

4.11.3 Microreflections Tool

The Microreflections page provides details about impairments on the DOCSIS network and the approximate distance(s) of the impairment(s). In order to provide the analysis and a display of possible impairments, this tool requires the Adaptive Equalization function to be enabled on the CMTS.

Navigate the mouse pointer to the Tools menu item and select “Microreflections” in the drop-down menu to open the Microreflections page.

Click on a particular bar in the graph to display the details of the impairment such as time, distance (feet & meters) and amplitude in the table below. The selected bar will turn a slightly different shade of color compared to other bars in the graph.

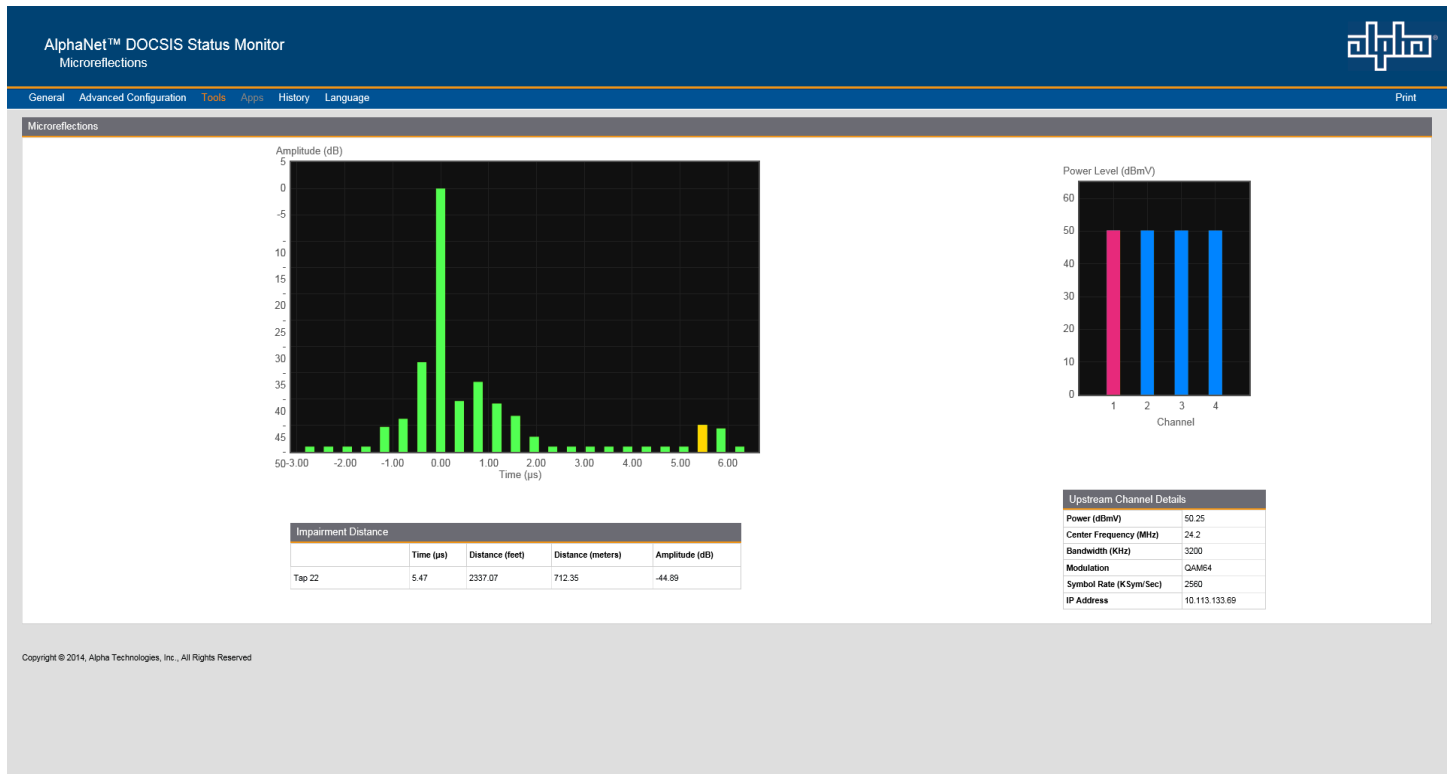


Fig. 4-24, Microreflections Tool

4.0 Web Interface, continued

4.11.4 Spectrum Tool

Full-range display spanning 0 - 1005MHz, the Spectrum page provides a detailed, full-band capture analysis of the DOCSIS Channels for the DM3X. This tool assists in identifying and troubleshooting common impairments throughout the range of DOCSIS Channels. Navigate to the Tools menu item and select “Spectrum” in the drop-down menu to open the Spectrum page.

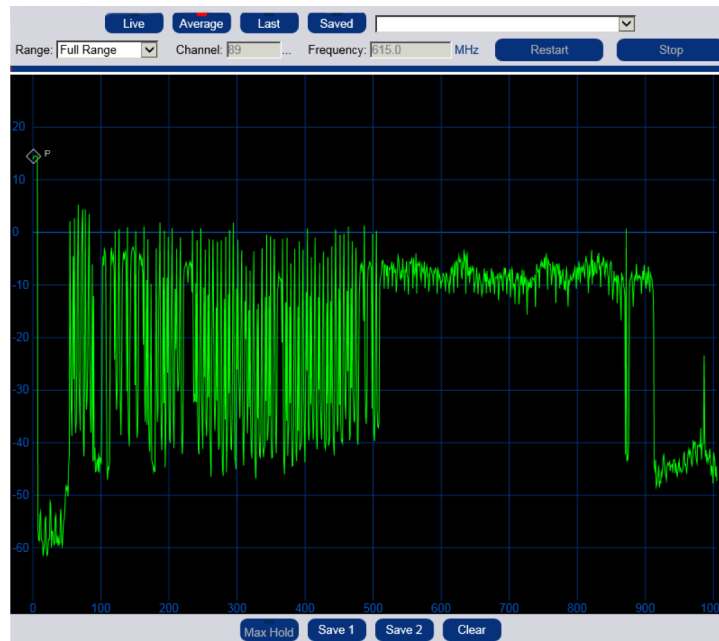


Fig. 4-25, Spectrum Tool

Spectrum Tool Features		
Feature	Type	Function
Live	Button	This provides a live view of the spectrum data.
Average	Button	This displays spectral data averaged from the last several background captures.
Last	Button	This displays the last capture.
Saved	Button	This displays the saved captures.
Aggregate Minimum/Maximum	Dropdown Menu	This drop-down menu allows the user to choose between displaying the aggregate minimum and aggregate maximum of the RF samples.
Range	Dropdown Menu	This drop-down menu allows the user to select the window's span of measurement - Full, 3 Channel, or 1 Channel.
Channel	Data	The channel number in the center of the display.
Frequency	Data	The frequency (in MHz) in the center of the display.
Restart	Button	This restarts the spectrum display.
Stop	Button	This stops the spectrum display from refreshing.
Max Hold	Button	This will mark the highest power seen. (Only applies to the “Live” view.)
Save 1	Button	Saves the current trace (1) and display.
Save 2	Button	Saves the current trace (2) and display.
Clear	Button	This clears the Max Hold, Save 1 and Save 2 traces.

Table 4-3, Spectrum Tool Buttons

4.0 Web Interface, continued

The tables on the right of the Spectrum page detail the X-Axis (Frequency), the Y-Axis (Amplitude), and the settings for the Spectrum display.

Frequency	
Center Frequency	502.5 MHz
Span	1005 MHz
Start Frequency	0 MHz
Stop Frequency	1005 MHz
Resolution Bandwidth	1 MHz
Amplitude	
Maximum	30 dBmV
Minimum	-70 dBmV
Measurements	
Peak	2.95 dBmV
Peak Position	371.72 MHz
Marker 1	<input type="text"/> MHz
Power	
Marker 2	<input type="text"/> MHz
Power	
Δ Frequency	
Δ Power	

Fig. 4-26, Spectrum Tables

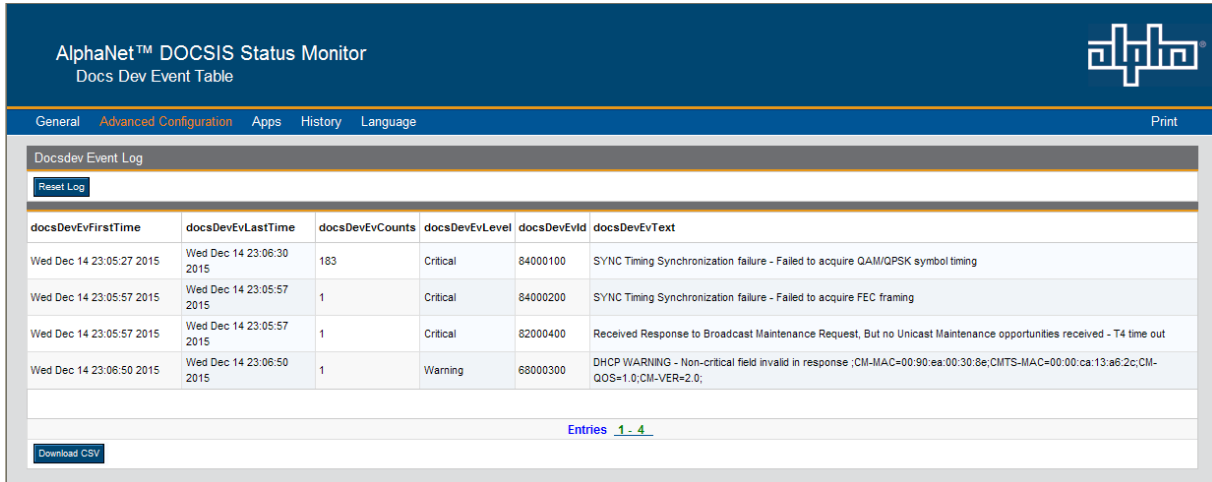
Spectrum Tool Features	
Feature	Function
Frequency (X-Axis)	
Center Frequency (MHz)	The frequency in the center of the display.
Span (MHz)	The range of frequencies in the display.
Start Frequency (MHz)	The frequency at the left end of the display.
Stop Frequency (MHz)	The frequency at the right end of the display.
Resolution Bandwidth (MHz)	The frequency range represented by each point on the spectral display.
Amplitude (Y-Axis)	
Maximum (dBmV)	The highest power level shown on the display.
Minimum (dBmV)	The lowest power level shown on the display.
Measurements	
Peak (dBmV)	The highest power level shown on the display. The reported value is dependent upon the Resolution Bandwidth.
Peak Position (MHz)	The approximate frequency with the highest power level on the display.
Marker 1 (MHz)	Enter a frequency in MHz to see its respective power level.
Power (dBmV)	The power level for the previously entered frequency.
Marker 2 (MHz)	Enter a frequency in Mhz to see its respective power level.
Power (dBmV)	The power level for the previously entered frequency.
▲ Frequency (MHz)	The difference in frequency between the two markers.
▲ Power (dBmV)	The difference in power between the two markers.

Table 4-4, Spectrum Table Details

4.0 Web Interface, continued

4.12 Viewing the Modem Event Log via the Web Page

View the transponder's event log by clicking the History drop down menu and select Modem Log. This will display the Docsdev Event Log. The log may be reset by clicking on the Reset Log button or the logged data may be downloaded by clicking on the Download CSV button.



AlphaNet™ DOCSIS Status Monitor
Docs Dev Event Table

General **Advanced Configuration** Apps History Language Print

Docsdev Event Log

[Reset Log](#)

docsDevEvFirstTime	docsDevEvLastTime	docsDevEvCounts	docsDevEvLevel	docsDevEvId	docsDevEvText
Wed Dec 14 23:05:27 2015	Wed Dec 14 23:06:30 2015	183	Critical	84000100	SYNC Timing Synchronization failure - Failed to acquire QAM/QPSK symbol timing
Wed Dec 14 23:05:57 2015	Wed Dec 14 23:05:57 2015	1	Critical	84000200	SYNC Timing Synchronization failure - Failed to acquire FEC framing
Wed Dec 14 23:05:57 2015	Wed Dec 14 23:05:57 2015	1	Critical	82000400	Received Response to Broadcast Maintenance Request, But no Unicast Maintenance opportunities received - T4 time out
Wed Dec 14 23:06:50 2015	Wed Dec 14 23:06:50 2015	1	Warning	68000300	DHCP WARNING - Non-critical field invalid in response ;CM-MAC=00:90:ea:00:30:8e;CMTS-MAC=00:00:ca:13:a6:2c;CM-QOS=1.0;CM-VER=2.0;

Entries [1 - 4](#)

[Download CSV](#)

Fig. 4-27, Docsdev Event Log Screen

5.0 Upgrading Firmware

5.1 Upgrading DM3X Modem Firmware

The firmware is upgraded using standard DOCSIS methods as defined in RFC4639.

There are two ways to upgrade the modem's firmware: By directly setting the appropriate MIB parameters in the docsDevSoftware branch, or by including the appropriate SNMP parameters and values in the modem's DOCSIS Configuration File, stored in the TFTP root directory.

Both methods are explained below.

5.1.1 Identifying the Modem and Obtaining Firmware Files

The cable modem firmware in the DM3X requires its own firmware and manufacturer's Code Verification Certificate (CVC file).

Contact Alpha Technologies Services, Inc. to obtain the latest firmware and manufacturer's CVC files.

5.1.2 Modem Firmware Upgrade SNMP Parameters

Modem Firmware Upgrade SNMP Parameters		
Parameter	Type	Value
docsDevSoftware OID: 1.3.6.1.2.1.69.1.3	Object Heading	None
docsDevSwServer OID: 1.3.6.1.2.1.69.1.3.1.0	IP Address	The IP address of the TFTP server from which the firmware will be downloaded. This OID has been deprecated, refer to docsDevSwServerAddress (OID:1.3.6.1.2.1.69.1.3.7.0).
docDevSwFilename OID: 1.3.6.1.2.1.69.1.3.2.0	Octet String	Set to the filename of the firmware file. Example: ["firmwareImage.bin"]
docsDevSwAdminStatus OID: 1.3.6.1.2.1.69.1.3.3.0	Integer	1 = Initiate upgrade (manual method) 2 = Upgrade on next reboot (Config File Method) 3 = Ignore update
docsDevSwOperStatus OID: 1.3.6.1.2.1.69.1.3.4.0	Integer, Read Only	1 = TFTP download is in progress 2 = Last upgrade was performed at reboot 3 = Last upgrade was initiated by setting docsDevSwAdminStatus to "1" 4 = Firmware upgrade failed 5 = Other
docsDevSwCurrentVers OID: 1.3.6.1.2.1.69.1.3.5.0	Octet String, Read Only	The current version of firmware installed in the modem
docsDevSwServerAddressType 1.3.6.1.2.1.69.1.3.6.0	Integer, Read Only	The type of address (IPv4, IPv6) of server used for upgrades
docsDevSwServerAddress OID: 1.3.6.1.2.1.69.1.3.7.0	IP Address	The IP address of the server from which the firmware will be downloaded. A set of this object to an IPv4 address will result in also setting the value of docsDevSwServer to that address. If this object is set to an IPv6 address, docsDevSwServer is set to 0.0.0.0. If docsDevSwServer is set, this object is also set to that value.
docsDevSwServerTransportProtocol 1.3.6.1.2.1.69.1.3.8.0	Integer, Read Only	The Transport protocol to be used for software upgrades: 1 = TFTP 2 = HTTP

Table 5-1, Modem Firmware Upgrade SNMP Parameters

5.0 Upgrading Firmware, continued

5.1.3 Upgrading Manually by Setting SNMP Parameters

1. Acquire the firmware and CVC files for your DM3X from Alpha Technologies Services, Inc.
2. Import the CVC into the modem's DOCSIS Configuration File (to create a Configuration File, see Section 3.3, The DOCSIS Configuration File).
3. Set the following MIB parameters using an SNMP MIB browser. For additional information regarding the SNMP MIB parameters, refer to the table in Section 5.1.2, Modem Firmware Upgrade SNMP Parameters.

SNMP Parameters	
Parameter	Value
docsDevSwServerAddress OID:1.3.6.1.2.1.69.1.3.7.0	IP Address of the TFTP server (IPv4 or IPv6)
docsDevSwFilename OID:1.3.6.1.2.1.69.1.3.2.0	Firmware filename
docsDevSwAdminStatus OID: 1.3.6.1.2.1.69.1.3.3.0	1 (Initiate Upgrade)

Table 5-2, SNMP Parameters

The firmware upgrade will begin immediately. Monitor the upgrade status with the docsDevSwOperStatus MIB parameter, and verify the firmware version with the docsDevSwCurrentVers MIB parameter (refer to Table 5-1, Modem Firmware Upgrade SNMP Parameters). Once the firmware has been upgraded, the modem will automatically run the new version.

5.1.4 Upgrading via the DOCSIS Configuration File

DM3X firmware can be automatically upgraded using the DOCSIS Configuration File by adding the following docsDevSoftware SNMP parameters and the manufacturer's Code Verification Certificate (CVC).

DOCSIS Configurations File Values	
Parameter	Value
docsDevSwServerAddress OID:1.3.6.1.2.1.69.1.3.7.0	IP Address of TFTP server
docsDevSwFilename OID:1.3.6.1.2.1.69.1.3.2.0	Firmware filename
docsDevSwAdminStatus OID: 1.3.6.1.2.1.69.1.3.3.0	2 (Upgrade on next reboot)
Manufacturer CVC TLV:32	The CVC file for the DM3.0 Series Transponder (embed in the Configuration File).

Table 5-3, DOCSIS Configurations File Values

The firmware will be upgraded on the next reset. Monitor the upgrade status with the docsDevSwOperStatus MIB parameter, and verify the firmware version with the docsDevSwCurrentVers MIB parameter (refer to Table 5-1, Modem Firmware Upgrade SNMP Parameters). Once the firmware has been upgraded, the modem will automatically run the new version.

6.0 Data Management

6.1 SCTE-HMS MIBs

The DM3X remotely reports power supply data and alarms using the Simple Network Management Protocol (SNMP) over the DOCSIS (Data Over Cable Service Interface Specification) communications standard. The DM3X typically reports into a centralized Network Management System (NMS) through a standard collection of data access points referred to as the SCTE-HMS Management Information Bases (MIBs). The NMS polls the DM3X for power supply data with the option of having the transponder send SNMP traps in the event that an alarm condition occurs.

The following MIB (Management Information Base) files are required for the NMS or SNMP Manager to collect data from the transponders. These files can be found on the Society of Cable Telecommunications Engineers (SCTE) Web site www.scte.org. There are dependencies between MIB files so they should be compiled in the order listed below:

SCTE-HMS MIB Files	
Reference Number	Description
ANSI/SCTE 36 2002R2007 (formerly HMS 028)	SCTE-ROOT Management Information Base (MIB) Definitions
ANSI/SCTE 37 2010 (formerly HMS 072),	Hybrid Fiber/Coax Outside Plant Status Monitoring SCTE-HMS-ROOTS Management Information Base (MIB) Definition
ANSI/SCTE 38-1 2009 (formerly HMS 026)	Hybrid Fiber/Coax Outside Plant Status Monitoring SCTE-HMS-PROPERTY-MIB Management Information Base (MIB) Definition
ANSI/SCTE 38-2 2005 (formerly HMS 023)	Hybrid Fiber/Coax Outside Plant Status Monitoring SCTE-HMS-ALARMS-MIB Management Information Base (MIB) Definition
ANSI/SCTE 38-3 2008 (formerly HMS 024)	Hybrid Fiber/Coax Outside Plant Status Monitoring SCTE-HMS-COMMON-MIB Management Information Base (MIB) Definition
ANSI/SCTE 38-4 2006 (formerly HMS 027)	Hybrid Fiber/Coax Outside Plant Status Monitoring SCTE-HMS-PS-MIB Management Information Base (MIB) Definition
ANSI/SCTE 38-6 2006 (formerly HMS 033)	Hybrid Fiber/Coax Outside Plant Status Monitoring SCTE-HMS-GEN-MIB Management Information Base (MIB) Definition
ANSI/SCTE 38-7 2008 (formerly HMS 050)	Hybrid Fiber/Coax Outside Plant Status Monitoring SCTE-HMS-Transponder-Interface-Bus (TIB)-MIB Management Information Base (MIB) Definition

Table 6-1, SCTE-HMS MIB Files

6.2 SCTE-HMS MIB Alarms

6.2.1 SCTE-HMS Configurable Alarms

The HMS discrete and analog alarms provide the capability to monitor and alarm various power supply and environmental conditions and measurements. The alarms in the SCTE-HMS propertyTable and the discretePropertyTable can be defined and set to provide a custom monitoring system.

The following section provides an example and detailed information on how to set values and enable or disable alarms in the MIB tables. For ease of reference they are in this sequence:

- An example of how to set a temperature alarm
- A table to help convert the desired reported alarm states to hexadecimal for setting the MIB
- Commonly monitored parameters and recommended values

Example:

The alarms for psTemperature on the following page are set so that the normal temperature range is from 30°C to 45°C. If the temperature rises above 45°C, a casHI alarm will be sent to the alarmTable. Anything over 50°C is considered a critical condition and will generate a casHIHI alarm. If the temperature falls below the normal level of 30°C, casLO will be generated and if it continues to drop below 0, a casLOLO will be generated. The temperature must rise above the LOLO limit plus the deadband value of 3°C before the casLOLO alarm will change to a casLO. The alarmEnable field is set to 0F Hex to monitor and alarm for all conditions.

6.0 Data Management, continued

Instance	parameterDID(IDX)	alarmEnable	currentAlarmState	analogAlarmHiHi	analogAlarmHi	analogAlarmLo	analogAlarmLoLo	analogAlarmDeadband
13.1.3.6.1.4.1.5591.1.4.2.1.22.1	psOutputVoltage.1	00 (hex)	casNominal(1)	0	0	0	0	0
13.1.3.6.1.4.1.5591.1.4.2.1.23.1	psInputVoltage.1	00 (hex)	casNominal(1)	0	0	0	0	0
13.1.3.6.1.4.1.5591.1.4.2.1.28.1	psTotalStringVoltage.1	00 (hex)	casNominal(1)	0	0	0	0	0
13.1.3.6.1.4.1.5591.1.4.2.1.30.1	psPowerOut.1	00 (hex)	casNominal(1)	0	0	0	0	0
13.1.3.6.1.4.1.5591.1.4.2.1.31.1	psFrequencyOut.1	00 (hex)	casNominal(1)	0	0	0	0	0
14.1.3.6.1.2.1.10.127.1.1.1.1.6.3	docsIDownChannelPower.3	00 (hex)	casNominal(1)	150	100	-100	-150	15
14.1.3.6.1.2.1.10.127.1.2.2.1.3.2	docsICmStatusTxPower.2	00 (hex)	casNominal(1)	550	500	0	0	15
14.1.3.6.1.4.1.5591.1.4.3.1.3.1.1	psStringChargeCurrent.1.1	00 (hex)	casNominal(1)	0	0	0	0	0
14.1.3.6.1.4.1.5591.1.4.3.1.3.1.2	psStringChargeCurrent.1.2	00 (hex)	casNominal(1)	0	0	0	0	0
14.1.3.6.1.4.1.5591.1.4.3.1.5.1.1	psStringFloat.1.1	00 (hex)	casNominal(1)	0	0	0	0	0
14.1.3.6.1.4.1.5591.1.4.3.1.5.1.2	psStringFloat.1.2	00 (hex)	casNominal(1)	0	0	0	0	0
14.1.3.6.1.4.1.5591.1.4.5.1.3.1.1	psOutputCurrent.1.1	00 (hex)	casNominal(1)	0	0	0	0	0
14.1.3.6.1.4.1.5591.1.4.6.1.3.1.1	psTemperature.1.1	0F (hex)	casNominal(1)	50	45	30	0	3
15.1.3.6.1.4.1.5591.1.4.4.1.4.1.1.1	psBatteryVoltage.1.1.1	0F (hex)	casNominal(1)	1600	1500	1100	1050	100
15.1.3.6.1.4.1.5591.1.4.4.1.4.1.1.2	psBatteryVoltage.1.1.2	0F (hex)	casNominal(1)	1600	1500	1100	1050	100
15.1.3.6.1.4.1.5591.1.4.4.1.4.1.1.3	psBatteryVoltage.1.1.3	0F (hex)	casNominal(1)	1600	1500	1100	1050	100
15.1.3.6.1.4.1.5591.1.4.4.1.4.1.2.1	psBatteryVoltage.1.2.1	0F (hex)	casNominal(1)	1600	1500	1100	1050	100
15.1.3.6.1.4.1.5591.1.4.4.1.4.1.2.2	psBatteryVoltage.1.2.2	0F (hex)	casNominal(1)	1600	1500	1100	1050	100
15.1.3.6.1.4.1.5591.1.4.4.1.4.1.2.3	psBatteryVoltage.1.2.3	0F (hex)	casNominal(1)	1600	1500	1100	1050	100

Binary to Hex Conversions for Alarm Settings									
Unused				HiHi	Hi	Lo	LoLo	Hex	Enabled Alarms
Bit 7	Bit 6	Bit 5	Bit 4	Bit 3	Bit 2	Bit 1	Bit 0		
0	0	0	0	0	0	0	0	00	No Alarms
0	0	0	0	0	0	0	1	01	LoLo
0	0	0	0	0	0	1	0	02	Lo
0	0	0	0	0	0	1	1	03	Lo, LoLo
0	0	0	0	0	1	0	0	04	Hi
0	0	0	0	0	1	0	1	05	Hi, LoLo
0	0	0	0	0	1	1	0	06	Hi, Lo
0	0	0	0	0	1	1	1	07	Hi, Lo, LoLo
0	0	0	0	1	0	0	0	08	HiHi
0	0	0	0	1	0	0	1	09	HiHi, LoLo
0	0	0	0	1	0	1	0	0A	HiHi, Lo
0	0	0	0	1	0	1	1	0B	HiHi, Lo, LoLo
0	0	0	0	1	1	0	0	0C	HiHi, Hi
0	0	0	0	1	1	0	1	0D	HiHi, Hi, LoLo
0	0	0	0	1	1	1	0	0E	HiHi, Hi, Lo
0	0	0	0	1	1	1	1	0F	HiHi, Hi, Lo, LoLo

Table 6-2, Binary to Hex Conversions for Alarm Settings

6.0 Data Management, continued

The following table displays the various analog alarms with common settings for the DM3X.

Analog Alarms and Common Settings								
Analog Alarms		Description	Alarm Enable	LOLO	LO	HI	HIHI	Deadband
psTotalStringVoltage	36V	Scaled representation of the full battery string in 1/100 Volts units	0x0F	3300	3500	4520	4570	50
Individual Battery Voltage		Battery Voltage of 12V Battery in 1/100 Volts units	0x0F	1050	1150	1530	1550	20
psInputVoltage	120V	Scaled representation of the input line voltage in 1/100 Volts units	0x0F	Varies by site. The XM2 will switch to standby at nominal +15% / -30%				
	220V		0x0F					
psRMSCurrentIn		Scaled representation of the Power Supply's RMS current in 1/100 A units	0x00	Set as desired per site				
psPowerIn		Representation of the Power Supply's input power in 1 W units	0x00	Set as desired per site				
psFrequencyOut		Representation of Power Supply's output frequency in 1/100 Hz units	0x00	Set as desired per site				
psOutputVoltage		Scaled representation of the Power Supply output voltage in 1/100 Volts units	0x0F	4300	4550	5050	5300	200
			0x0F	5650	6000	6600	7000	200
			0x0F	7800	8200	9150	9300	200
psPowerOut		Representation of Power Supply output power in 1W units	0x00	It is recommended that psOutputCurrent be used for output alarms.				
psStringChargeCurrent		Battery string charge current, scaled in 1/100 Amp units	0x0C	Disable	Disable	1200	1250	20
psStringDischargeCurrent		Scaled representation of battery string discharge current. This is an RMS value in 1/100 Amps	0x00	Set as desired per site				
psStringFloat		Battery string float charge current, scaled in 1/100 Amp units	0x0C	Disable	Disable	1200	1250	20
psOutputCurrent	15A	Scaled representation of Power Supply RMS current in 1/100 Amp units	0x0C	Disable	Disable	1650	1720	20
	18A		0x0C	Disable	Disable	1980	2060	20
psTemperature		-40 to +80 degrees C	0x0F	Varies by Site				
docsIfDownChannelPower		The CM's receive RF power scaled in 1/10 dBmV units	0x0F	-150	-10	10	150	15
docsIfCmStatusTxPower		The CM's transmit RF power scaled in 1/10 dBmV units	0x0C	0	0	500	550	15
atiBBsysViewTimeInStandby		Time in seconds that the Power Supply's inverter is currently running due to outage or self-test	0x0C	0	0	Set as desired for notification of extended outage		10
Alarms for Optional Generator								
GenVBatIgnition		Scaled representation of the generator's ignition battery in 1/100 Volts	0x0F	1150	1200	1500	1550	20
genEnclosureTemperature		Temperature inside generator's enclosure in degrees C	0x09	-40	0	0	55	5

Table 6-3, Recommended Settings for DM3X Analog Alarms

6.0 Data Management, continued

Recommended Settings for Discrete Alarms		
Discrete Alarms	Description	Setting
psInverterStatus (1)	Inverter Off	Disable
psInverterStatus (2)	Inverter Running Due to Loss of AC Line Voltage	discreteMinor
psInverterStatus (3)	Self-Test Initiated Locally	Disable
psInverterStatus (4)	Self-Test Initiated Remotely	Disable
psInverterStatus (5)	Last Self-Test Failed	Disable
psMajorAlarm (1)	No Alarm	Disable
psMajorAlarm (2)	Alarm	discreteMajor
psMinorAlarm (1)	No Alarm	Disable
psMinorAlarm (2)	Alarm	discreteMinor
psTamper (1)	Closed	Disable
psTamper (2)	Open	discreteMajor
psInputVoltagePresence (1)	AC Line Voltage Lost	Disable
psInputVoltagePresence (2)	AC Line Voltage Present	Disable
Battery Standby Time Remaining (1)	Over 3 Hours Remaining	Disable
Battery Standby Time Remaining (2)	2 to 3 Hours Remaining	Disable
Battery Standby Time Remaining (3)	1 to 2 Hours Remaining	discreteMinor
Battery Standby Time Remaining (4)	Less than 1 Hour Remaining	discreteMajor
Battery Standby Time Remaining (5)	Calculating	Disable
Battery Standby Time Remaining (6)	Not Available	Disable
tibControlMode (2)	Device is Under Local Control	Disable
tibControlMode (3)	Remote Device is Not Responding	discreteMajor

Table 6-4, Recommended Settings for Discrete Alarms

6.0 Data Management, continued

Discrete Alarms for Optional Generator		
Discrete Alarms	Description	Setting
genGeneratorStatus (1)	Generator OFF	Disable
genGeneratorStatus (2)	Generator Running (Test)	discreteMinor
genGeneratorStatus (3)	Generator Running	discreteMajor
genGeneratorStatus (4)	Generator Fail	discreteMajor
genGasHazard (1)	No Alarm	Disable
genGasHazard (2)	The concentration of hydrocarbon fuel in the generator enclosure has exceeded safe limits. Generator operation is suspended. The alarm is cleared when the sensor reports safe conditions, and the alarm is reset via the resetLatchedAlarms(3) command found in the genEquipmentControl MIB point.	discreteMajor
genWaterIntrusion (1)	No Alarm	Disable
genWaterIntrusion (2)	Water level within the generator or fuel enclosure has exceeded safe limits for generator operation. Generator operation is suspended while this alarm is active. The alarm resets when the water returns to a safe level.	discreteMajor
genPadShear (1)	No Alarm	Disable
genPadShear (2)	Indicates that the generator or fuel enclosure has shifted from its mounting position. Generator operation is suspended. The alarm resets when the unit is returned to its original position.	discreteMajor
genEnclosureDoor (1)	No Alarm	Disable
genEnclosureDoor (2)	Generator and/or auxiliary fuel enclosure door is open	discreteMajor
genCharger (1)	No Alarm	Disable
genCharger (2)	Ignition battery charger is not operating correctly	discreteMajor
genFuel (1)	No Alarm	Disable
genFuel (2)	Indicates the engine's fuel supply is insufficient for extended operation. Alarm resets when fuel is replenished.	discreteMajor
genOil (1)	No Alarm	Disable
genOil (2)	Indicates the engine's oil is inadequate for safe operation. Alarm resets when the condition returns to normal.	discreteMajor
genMinorAlarm (1)	No Alarm	Disable

Table 6-4, Recommended Settings for Discrete Alarms, continued

6.0 Data Management, continued

Discrete Alarms for Optional Generator, continued		
Discrete Alarms	Description	Setting
genMinorAlarm (2)	The generator is indicating a minor alarm. The generator requires attention but does not require an immediate visit to the site.	discreteMinor
genMajorAlarm (1)	No Alarm	Disable
genMajorAlarm (2)	The generator is indicating a major alarm. The generator requires immediate attention.	discreteMajor
atiMgmtSysloPinCtrl (1)	Contact Open	Disable
atiMgmtSysloPinCtrl (2)	Contact Closed	Disable
atiMgmtSysloPinIn4 (1)	Contact Open	Disable
atiMgmtSysloPinIn4 (2)	Contact Closed	Disable
atiMgmtSysloPinIn5 (1)	Contact Open	Disable
atiMgmtSysloPinIn5 (2)	Contact Closed	Disable
atiMgmtSysloPinIn6 (1)	Contact Open	Disable
atiMgmtSysloPinIn6 (2)	Contact Closed	Disable

Table 6-4, Recommended Settings for Discrete Alarms, continued

DM3XAlarm Cloning & Distribution

SCTE-HMS Alarm settings can be distributed automatically to all DM3X Transponders on the network. Use the following procedure to configure and distribute the alarm settings.

1. Select the desired SCTE-HMS alarm settings on a master DM3XTransponder.

The SCTE-HMS-PROPERTY MIB defines a method for setting thresholds for analog and discrete values that can be used for setting traps or alerting a Network Management System when those thresholds are compromised. There are two SCTE-HMS SNMP MIB Tables where these values are configured:

propertyTable OID: 1.3.6.1.4.1.5591.1.1.1

This table is used for setting thresholds for analog properties such as input & output voltages, individual battery voltages, currents and temperature.

discretePropertyTable OID: 1.3.6.1.4.1.5591.1.1.3

This table is used to set alarm parameters on discrete conditions such as tamper on/off, major/minor alarms and various inverter status conditions.

Full explanations of these MIB tables and their settings can be found by reading the SCTE-HMS-PROPERTY MIB. The MIB table alarm settings can be changed to desired values using a SNMP MIB browser or status monitoring software. Once the tables are configured with the desired alarm settings, proceed to Step 2 on exporting the "AlarmSettings.acf" file.

6.0 Data Management, continued

2. Export the “AlarmSetting.acf” file of the master transponder’s alarm settings.
3. Connect to the Web page of the master transponder.
4. Navigate to the Advanced Configuration menu and select the HMS Alarms page.
5. Verify the alarm settings defined in Step 1 are displayed in the propertyTable and discrete PropertyTable. If further changes to the alarm settings are required, refer to Step 1.
6. Click on the Export button at the bottom of the HMS Alarms page.
7. When prompted, refer to Section 4.3.1, Web Interface Security Levels for the applicable User Name and Security Password.
8. Download the “AlarmSettings.acf” file to the TFTP root directory. If desired, the file may be renamed.
9. Distribute the “AlarmSettings.acf” file to other transponders.
10. The “AlarmSettings.acf” file is distributed to other transponders by setting the following Alpha MIB parameters to the indicated values. This can be done to an individual transponder using a MIB browser, or to multiple transponders by placing the SNMP OIDs into the modem’s DOCSIS configuration file or the proprietary atidoc33.cfg configuration file.

DM3 Alarm Setting Parameters		
Parameter	Type	Value
atiMgmtSysDownload OID: 1.3.6.1.4.1.926.1.3.2.1	Object Identifier	
atiMgmtSysDownloadTftpAddress OID: 1.3.6.1.4.1.926.1.3.2.1.1.0	IP Address	The IP address of the TFTP server on which AlarmSettings.acf is stored.
atiMgmtSysDownloadFile1 OID: 1.3.6.1.4.1.926.1.3.2.1.4.0	Octet String	Set to “AlarmSettings.acf” or other specified file name.
atiMgmtSysDownloadCtrl OID: 1.3.6.1.4.1.926.1.3.2.1.2.0	Integer	1 = Initiate download of “AlarmSettings.acf” file.
atiMgmtSysDownloadTftpServerAddressType OID: 1.3.6.1.4.1.926.1.3.2.1.15.0	Integer	Address mode of atiMgmtSysDownloadTftpServerAddress. IPv4(1),IPv6(2)
atiMgmtSysDownloadTftpServerAddress 1.3.6.1.4.1.926.1.3.2.1.16.0	Octet String	Address of download TFTP server. 0.0.0.0 (IPv4), 0:0:0:0:0:0:0 (IPv6)

Table 6-5, DM3X Alarm Setting Parameters

The status of the alarm settings download can be monitored with the following parameters (please note the AlarmSettings.acf file downloads quickly):

Status of Alarm Setting Download Parameters		
Parameter	Type	Value
atiMgmtSysDownloadProgress OID: 1.3.6.1.4.1.926.1.3.2.1.6.0	Integer	Byte count of the file download process.
atiMgmtSysDownloadStatus OID: 1.3.6.1.4.1.926.1.3.2.1.3.0	Read Only Integer	1 = Idle 5 = Transferring 6 = Testing 8 = Error

Table 6-6, Status of Alarm Setting Download Parameters

Verify the transponder’s SCTE-HMS property tables have been updated by viewing the HMS Alarms Web Page, status monitoring system or SNMP MIB browser.

6.0 Data Management, continued

6.2.2 SNMP Traps

Use of SNMP Traps allow the network manager to set conditions (alarms) under which the device (or devices) autonomously reports to the headend the existence of the pre-configured event. The type of event determines the level of action to be taken.

1. Verify the IP address of the trap destination server(s) has been configured.
 - If the trap destination server requires configuration, refer to Section 3.3.3 Setting SNMP Trap Destination IPv4 Method, and 3.3.4 Setting SNMP Trap Destination Addresses—IPv6 Method, for instructions.
2. Alarms must be configured. SNMP alarm traps sent by the transponder are formatted according to the SCTE-HMS-ALARM-MIB specification with the following information included:
 - SNMP Trap community string:
 - commonTrapCommunityString, OID 1.3.6.1.4.1.5591.1.3.1.11.0
 - Default value is “public”

Example Alarm Trap:

The example below is a psTamper alarm trap indicating a discreteMinor alarm: Tamper is open. Data from the raw trap will appear as shown below. Refer to Table 6-7, SNMP Alarm Trap Varbinds and Explanations, for definitions of the varbinds.

```
Frame 441 (230 bytes ib wire, 230 bytes captured)
Ethernet II, Src: 192.168.1.77 (00:90:EA:A0:01:4E), Dst: 3com_0d:1d:d4 (00:10:5a:0dL1d:d4)
Internet Protocol, Src Port: 62481 (62481), Dst Port: snmptrap (162)
Simple Network Management Protocol

Version: 1 (0)
Community: PUBLIC
PDU type: TRAP-V1 (4)
Enterprise: 1.3.6.1.4.1.5591.1 (SNMPv2-SMI::enterprises.5591.1)
Agent address: 0.0.0.0 (0.0.0.0)
Trap type: ENTERPRISE SPECIFIC (6)
Specific trap type: 1
Timestamp: 2358751
Object identifier 1: 1.3.6.1.4.1.5591.1.3.2.7.0 (SNMPv2-SMI::enterprises.5591.1.3.2.7.0)
Value: Hex-STRING: 00 90 EA A0 0B 82

Object identifier 2: 1.3.6.1.4.1.5591.1.3.1.1.0 (SNMPv2-SMI::enterprises.5591.1.3.2.1.0)
Value STRING: "123 Example Ave."
Object identifier 3: 1.3.6.1.4.1.5591.1.2.3.1.2.1 (SNMPv2-SMI::enterprises.5591.1.2.3.1.2.1)
Value: Hex-STRING: 00 00 00 76 07 10 06 0D 2B 06 01 04 01 AB 57 01 04 02 01 1B 01 02 01 02

Object identifier 4: 1.3.6.1.4.1.5591.1.4.2.1.27.1 (SNMPv2-SMI::enterprises.5591.1.3.2.1.0)
Value: INTEGER: 2
Object identifier 5: 1.3.6.1.4.1.5591.1.1.2.1.2 (SNMPv2-SMI::enterprises.5591.1..1.2.1.2)
Value: INTEGER: 7
```

6.0 Data Management, continued

When viewed through a third-party trap receiver, the translated varbinds and data values will be displayed in a format similar to the sample below:

Bindings (5)

Binding #1: commonPhysAddress.0 *** (octets) 00:90.EA.A0.01.4E (hex)

Binding #2: commonLogicalID.0 *** (octets) (123 Example Ave.)

Binding #3: alarmLogInformation.1 *** (octets) 00.00.00.76.07.10.06.0D.2B.06.01.04.01.AB.57.01.04.02.01.1B.01.02.01.02 (hex)

Binding #4: psTamper.1 *** (int32) open (2)

Binding #5: currentAlarmAlarmState *** (int32) caasDiscreteMinor(7)

SNMP Alarm Trap Varbinds and Explanations	
Varbind	Explanation
Binding #1 commonPhysAddress OID: 1.3.6.1.4.1.5591.1.3.2.7.0	MAC address of the Communications Module
Binding #2 commonLogicalID OID: 1.3.6.1.4.1.5591.1.3.1.1.0	Optional user-configurable parameter that is often used to provide a unique logical name, or even the physical address of where the Communications Module is installed.
Binding #3 alarmLogInformation OID: 1.3.6.1.4.1.5591.1.2.3.1.2.1	This varbind was designed by the SCTE-HMS committee with the intention of being used by sophisticated trap interpreters. The information is “coded” within the octet strings: Octet 1-4: POSIX Time of alarm occurrence (most significant byte first) Octet 5: Alarm Type (See description below) Octet 6: Contents of commonNeStatus immediately after alarm occurred Octet 7-m: Alarm Object Identifier (BER encoded) Octet n-z: Alarm value (BER encoded) Most trap interpreters cannot decode this message, which is why varbinds 4 and 5 were added that provide the same information in a more useable format.
Binding #4 Alarmed Parameter OID/Value OID: 1.3.6.1.4.1.5591.1.4.2.1.27.1	This field provides the varbind of the parameter that is alarming along with the value of that parameter. This is the same information encoded in varbind #3 Octets 7 through Z. In the example above the value would be: OID: 1.3.6.1.4.1.5591.1.4.2.1.27.1.0 (psTamper) Value: 2 (Open)
Binding #5 Alarm Location/Type OID: 1.3.6.1.4.1.5591.1.1.2.1.2	This is the information from varbind #3 Octet 5 above. The alarm location will always be the SCTE-HMS currentAlarmAlarmState and the type will be determined based on how the alarm was configured in the SCTE-HMS PropertyIdent MIB tables. OID 1.3.6.1.4.1.5591.1.1.2.1.2.0 (currentAlarmAlarmState) Type: 1-7 based on SCTE definitions: 1 NOMINAL 2 HIHI 3 HI 4 LO 5 LOLO 6 Discrete Major 7 Discrete Minor The Type will be determined by how the alarm is configured in the SCTE-HMS PropertyIdent MIB, whether it is a Discrete or Analog alarm and the level of alarm defined for that state.

Table 6-7, SNMP Alarm Trap Varbinds and Explanations

6.0 Data Management, continued

Trap on Normal

The DM3X has the capability of sending a “return to normal” trap once an alarmed condition returns to a normal state. This feature is enabled by default but can be disabled by setting the TRAP ON NORMAL parameter in the MIB point `atiMgmtSnmptTrapOnNormal` to a value of “2”. The contents of this trap message will be identical to the SNMP Alarm traps, but the value of the Alarm Type defined in the 5th varbind will be “1” (NOMINAL).

SCTE-HMS Warm-Start Trap

In addition to the SNMP alarm traps, the DM3X will also send an SCTE-HMS warm-start trap when it is initialized. Some SNMP monitoring software requires this trap for auto-identification of the transponder. The format of this trap will be similar to the alarm trap, but the only information sent will be:

- `commonTrapCommunityString`, OID 1.3.6.1.4.1.5591.1.3.1.11.0
- `commonPhyAddress`, OID, 1.3.6.1.4.1.5591.1.3.2.7
- `commonLogicalID`, OID 1.3.6.1.4.1.5591.1.3.1.1.0

SCTE-HMS Cold-Start Trap

An SNMP-HMS cold-start trap will be generated by the DM3X anytime it initializes with a new firmware version. In addition, a cold-start trap is sent whenever the configuration has changed. If any parameter in the HMS PROPERTY table has changed since the last reset, a cold-start trap will be sent upon the next reset.

6.2.3 General Power Supply Alarms

The Intelligent CableUPS detects a wide array of alarms and displays the type of active alarm in the Smart Display screen and the severity of alarm (e.g., Major/Minor) by means of the Inverter Module LEDs.

General power supply alarms are passed directly from the power supply to the transponder without specific definition and are classified in the HMS MIB table as `psMinorAlarm` and `psMajorAlarm`. There are a number of problems that can generate these alarms and the exact nature of the situation is not specified. Minor and Major alarms are defined by the SCTE standards committee as follows:

`psMajor`

“Service has been dropped or a service interruption is imminent. Indicates that an immediate truck roll is appropriate.” Several `psMajor` alarms are latching, meaning that the alarm won’t clear until the problem is fixed and after a successful completion of a Self-Test. A Self-Test is the preferred method of verifying the resolution of the alarm condition as cycling the power has the potential of masking the problem and not indicating the actual state of the system.

`psMinor`

“A non-service affecting condition has occurred and should be monitored.”

6.0 Data Management, continued

The following table lists the psMajor and psMinor alarm definitions for the XM2 power supply.

Power Alarms: Classifications, Causes and Corrections			
Active Alarm	Alarm Type	Probable Causes of Alarm	Corrective Action
SELF-TEST FAIL (see Note 1 below)	Major	<ul style="list-style-type: none"> • 36 Volt battery string below 33.0 Vdc • 48 Volt battery string below 44.0 Vdc • Alarm during a Self-Test • Inverter failure has occurred • Line Isolation Alarm 	<ol style="list-style-type: none"> 1. Check/correct other alarms. 2. Check that correct AC Input Voltage is present 3. Check Battery Circuit Breaker 4. Check Battery Fuse, if installed 5. Check Battery condition and voltage 6. In the event that a Self-Test Alarm condition was already present, re-run the Self-Test to clear the alarm. 7. Change Inverter Module 8. Replace Power Supply
CONFIG ERROR	Major	<ul style="list-style-type: none"> • Configuration Switch Settings Incorrect • Power Distribution Board failure (see Note 2 below) 	<ol style="list-style-type: none"> 1. Check the configuration switch & jumper settings on the Power Distribution Board match those required for the power supply 2. Verify the configuration settings on display (press UP and Enter simultaneously) match the application and configuration switch settings on the Power Distribution Board 3. Check transformer Output Tap setting to verify the Inverter Module voltage matches the Transformer Module voltage and voltage shown on the label of the Inverter Module matches the voltage of Transformer Module. 4. Check for corrosion on the Power Distribution Board. 5. Verify Power Distribution Board to Inverter Module. Check ribbon cable for damage and connection. 6. Turn all power off, wait 10 seconds, turn all power back on. 7. Change Inverter Module 8. Replace power supply.
FUSE FAIL	Major	<ul style="list-style-type: none"> • Fuse failure on tap switch option board. • Open ATS fuse (see Note 3 below) • ATS damage • Power Distribution Board damage (see Note 2 below) 	<ol style="list-style-type: none"> 1. Check/replace fuse on ATS 2. Check for damaged contacts on the ATS board relay. 3. Check the configuration switch settings on the Power Distribution Board match those required for the power supply. 4. Check that configuration settings on display (press UP and Enter simultaneously) match the configuration switch settings on the Power Distribution Board. 5. Turn all power off, wait 10 seconds, turn all power back on. 6. Replace power supply

Table 6-8, Power Alarms: Classifications, Causes and Corrections



NOTICE:

Note 1: To clear a Latched Self-Test Fail Alarm, initiate and complete a successful self-test.

Note 2: Remove and replace power supply. **Do not try to clear alarm or replace relay while in service.**

Note 3: The Automatic Tap Switch (ATS) option is not available in units sold in North America or Europe.

6.0 Data Management, continued

Power Alarms: Classifications, Causes and Corrections			
Active Alarm	Alarm Type	Probable Cause of Alarm	Corrective Action
OUTPUT FAILURE (NON-LATCHING)	Major	The AC output has failed due to an open or short detected by the power supply.	<ol style="list-style-type: none"> 1. Check for AC Input Voltage present 2. Check Output current on the display. If Output Current is > 100% of rating, correct overload conditions. 3. Measure the output voltage and compare to the display output voltage 4. Check Output Taps from Transformer. 5. Check the configuration switch settings on the Power Distribution Board match those required for the power supply. 6. Check that configuration settings on display (press UP and Enter simultaneously) match the configuration switch settings on the Power Distribution Board. 7. Open the Battery Circuit Breaker and 8. Pull out and re-seat Inverter Module 9. Turn the Battery Circuit Breaker back on. 10. Replace power supply
OUTPUT 1 TRIPPED	Major	Output 1 hardware protection mode engaged or overloaded. <i>(Only active with optional PIM installed.)</i>	<ol style="list-style-type: none"> 1. Check Current 2. Check Settings
OUTPUT 2 TRIPPED	Major	Output 2 hardware protection mode is engaged or overloaded. <i>(Only active with optional PIM installed.)</i>	<ol style="list-style-type: none"> 1. Check Current 2. Check Settings
GENERAL FAILURE (LATCHING)	Major	A latched failure of an automated, local or remote inverter test, or some other major malfunction within the power supply.	<ol style="list-style-type: none"> 1. Check Batteries 2. Check Inverter 3. Check Settings
TEST FAIL (LATCHING)	Major	Battery voltage drops below 1.85V/cell or inverter fail during self-test.	<ol style="list-style-type: none"> 1. Check Batteries 2. Check Inverter
LINE ISOLATION	Major	Line isolation has failed.	<ol style="list-style-type: none"> 1. Open the Battery Circuit Breaker 2. Pull out and re-seat Inverter Module 3. Turn the Battery Circuit Breaker back on 4. Run Self-Test (press Down and Enter simultaneously) 5. If alarm, replace power supply
OUTPUT OVERLOAD (NON-LATCHING)	Major	Indicates the power supply is overloaded. Power supply will shut down and attempt to restart periodically.	<ol style="list-style-type: none"> 1. Check output voltage and compare to display reading: 2. Check the configuration switch settings on the Power Distribution Board match those required for the power supply. 3. Check that configuration settings on display (press UP and Enter simultaneously) match the configuration switch settings on the Power Distribution Board. 4. Check Output Taps from Transformer. 5. Change inverter module 6. Replace power supply
CHARGER FAILURE (NON-LATCHING)	Major	Charger has failed or was shut down due to a problem such as battery over-temp.	<ol style="list-style-type: none"> 1. Re-seat Inverter 2. Perform Self-Test

Table 6-8, Power Alarms: Classifications, Causes and Corrections, Continued

6.0 Data Management, continued

Power Alarms: Classifications, Causes and Corrections			
Active Alarm	Alarm Type	Probable Cause of Alarm	Corrective Action
OVERTEMP	Major	Inverter heat sink over temperature.	1. Check Inverter 2. Check PDB 3. Check Enclosure Ventilation
N+1 ACTIVE	Major	A power supply has failed and the N+1 system has been activated to provide backup power.	1. Check Output Fuse 2. Check Output Connections
LINE LOSS FROM INVERTER STATUS	Minor	Loss of AC line as determined by power supply.	1. Utility Failure 2. Check Input Breaker 3. Input Connections
BATTERY TEMPERATURE PROBE	Minor	Temperature probe has failed or is not connected.	1. Check Connection 2. Replace Temperature Probe
N+1 ERROR	Minor	N+1 circuit is not configured properly. Possibly detecting input voltage on a redundant system or other issue.	1. Verify wiring 2. Check N+1 output
INPUT FAILURE	Minor	Utility AC input has failed.	1. Utility Failure 2. Check Circuit Breaker Input 3. Input Connections 4. Check 120/240 Jumpers
INVERTER FAIL (LATCHING)	Major	The power supply has detected a failure in inverter operation.	1. Re-seat Inverter 2. Replace Inverter
INVERTER DISCONNECTED	Major	The Inverter Module is not properly connected.	1. Re-seat Inverter 2. Check Ribbon Cable
INVERTER TEMPERATURE	Major	The inverter heatsink has exceeded set temperature. <i>(Standby operations suspended until temperature drops to safe level.)</i>	1. Check Fan 2. Check Filter (legacy models)
CONFIGURATION FAILURE	Major	The power supply has detected it is improperly configured.	1. Over Current 2. Check Settings
Active Alarm or Abnormal Condition	Alarm States		Corrective Action
OUTPUT OVERLOAD (XM2)	Overload Indication		1. Check Output current on the display. If Output Current is > 100% of rating, correct overload conditions. 2. Check the configuration switch settings on the Power Distribution Board match those required for the power supply. 3. Turn all power off, wait 10 seconds, turn all power back on. 4. Check that configuration settings on display (press UP and Enter simultaneously) match the configuration switch settings on the Power Distribution Board. 5. If PIM option installed, check PIM limits on display 6. Replace Inverter Module 7. Replace power supply
	Current Range (approx. %)		
	Alarm, no shutdown	110 to 115%	
	Alarm, shutdown in 30m	115 to 125%	
	Alarm, shutdown in 10m	125 to 150%	
OUTPUT OVERLOAD (XM2-918 HP, XM2-924 HP)	Alarm, shutdown in 30s		>150%
	Alarm, shutdown in <15s		Short circuit
	Alarm, no shutdown		105 to 107.5%
	Alarm, shutdown in 30m		107.5 to 112.5%
	Alarm, shutdown in 10m		112.5 to 125%
Alarm, shutdown in 30s		>125%	
Alarm, shutdown in <15		Short circuit	

Table 6-8, Power Alarms: Classifications, Causes and Corrections, Continued

6.0 Data Management, continued

6.2.4 Battery Alarms

The Intelligent CableUPS detects a wide array of battery alarms and displays the type of active alarm in the Smart Display screen and the severity of alarm (e.g., Major/Minor) by means of the Inverter Module LEDs.

Battery Alarms: Classifications, Causes and Corrections			
Active Alarm	Alarm Type	Probable Cause of Alarm	Corrective Action
NO BATTERIES	Major	Detected the absence of batteries (alarm inactive when battery capacity or number of battery strings is set to 0)	<ol style="list-style-type: none"> 1. Check Batt Breaker 2. Check Connections 3. Check Battery Fuse
LOW BATT VOLTS	Major	Battery voltages below 1.833V/cell	<ol style="list-style-type: none"> 1. Check Battery Voltage and compare to Displayed Battery Voltage 2. Check for correct battery capacity on Set-up Menu. 3. Check for AC Input Voltage present 4. Open the Battery Circuit Breaker and 5. Pull out the Inverter Module 6. Verify Inverter Module securely connected. 7. Re-seat the Inverter Module 8. Turn the Battery Circuit Breaker back on. 9. Replace Inverter Module
HIGH BATT VOLTS	Major	36 Volt battery string above 45.0Vdc or, 48V battery string above 60.0Vdc	<ol style="list-style-type: none"> 1. Check Batteries 2. Check Charger settings 3. Replace Inverter
BATTERY EOD	Major	Output batteries dropped below the low voltage shutdown level (low battery disconnect)	<ol style="list-style-type: none"> 1. Restore AC Input 2. Connect Generator
BATTERY FAIL (NON-LATCHING)	Major	Battery voltage drops below 1.75V/cell while in standby mode, battery exceeds 2.5V/cell, or batteries not detected.	<ol style="list-style-type: none"> 1. Check Batteries 2. Replace Batteries
BATT TEMP PROBE	Minor	Remote Temperature Sensor failure or Inverter Board failure	<ol style="list-style-type: none"> 1. Inspect RTS sensor, wire and connector to see if there is an intermittent connection 2. Replace with known good sensor 3. Check Battery Temperature Display Reading 4. Check for Alarm 5. Replace Inverter Module
REFRESH / BATT REFRESH ALARM	Minor	Battery Temperature Exceeded 60°C	<ol style="list-style-type: none"> 1. Check Charger Settings 2. Check Batteries 3. Check Battery Temperature
X BAL STAGE	Minor	Stage 0 and 1 are normal. Stage 2 shows that the batteries are not of similar capacity. Stage 3-5 trigger check battery alarm to show that there is a major capacity imbalance	<ol style="list-style-type: none"> 1. Check Batteries 2. Replace Batteries

Table 6-9, Battery Alarms: Classifications, Causes and Corrections



NOTICE:

The cause of a psMajor or psMinor alarm can be determined by checking the Discretes table in the Alpha MIB or by viewing the Web page. The cause will have the value of **ALARM**.

7.0 Installation

7.1 Verifying Power Supply Device Address

Before installing the hardware, provision the DHCP server with the cable modem's CM MAC address. This allows the installation to be verified while the technician is on-site, eliminating the need for a second visit if there are problems with the installation.



WARNING! ELECTRICAL HAZARD

To reduce the risk of electric shock, completely remove the Inverter Module from the power supply prior to installation. For field installation, use a service power supply to avoid losing power to the load.

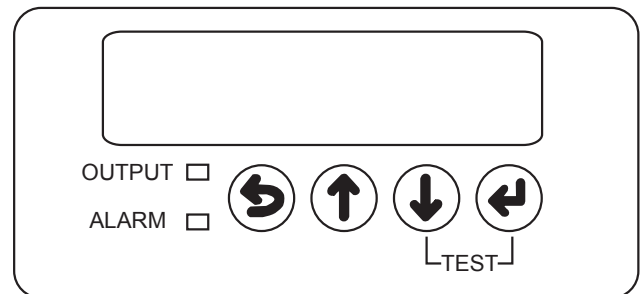
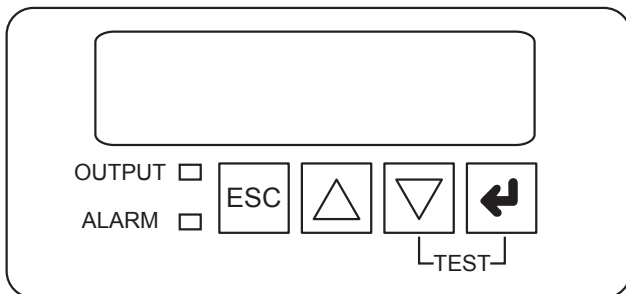


CAUTION!

The DM3X Transponder is static sensitive. An ESD wrist strap should be worn when installing the transponder.

Before removing the Inverter Module, verify the power supply device address and firmware version is correct.

The power supply device address must not be set to zero and no two power supplies monitored by a single DM3X Transponder can have the same address. The power supply must have a unique address to communicate with a system controller. The system controller uses the address as an identifier to query the power supply for information. Each power supply on the same communications bus must be identified with a value between 1 and 5. To verify the power supply's address do the following:



XM2 LCD Display

1. Press the enter button twice to access the Set Up Menu on the LCD display.
2. Press the Down or Up key until DEVICE ADDRESS is displayed.
3. If the address is correct (in the range of 1 to 5), skip to Step 8.
4. To change the address, press the Enter key to enter the Edit mode.
5. Press the Up or Down keys until the desired address (1 to 5) is displayed. Remember, each power supply monitored by a single transponder must have a unique address; this may require accessing the menu systems of the additional power supplies and adjusting as applicable.
6. Press the Enter key to load the new address.
7. Press ESC two times to return to the OPERATION NORMAL screen.

7.0 Installation, continued

7.2 Installation / Replacement Procedure in XM2 Power Supplies

 **NOTICE:**

The DM3X is powered via the Battery A/B Sense/Power Harness. The sense harness must be connected to the batteries before being plugged into the DM3X A/B connector to power the transponder.

If the XM2 CableUPS has been shipped without a DM3X Transponder, or the existing module requires removal and replacement, do so via the following procedure:

1. Switch OFF the Inverter Module battery breaker.

 **NOTICE:**

With the battery breaker in the OFF position, the power supply will not go into inverter mode.

2. Disconnect the battery input and temperature sensor cables from the Inverter Module, followed by the tamper, RF and battery sense cables if a transponder is currently installed.
3. Loosen the Inverter Module thumbscrew and (if applicable) the two transponder thumbscrews.
4. Slide the Inverter Module out of the power supply.
5. Disconnect the ribbon cable attached at the back of the Inverter Module.
6. If the Inverter Module is equipped with a transponder, remove it by loosening the two Phillips captive screws.

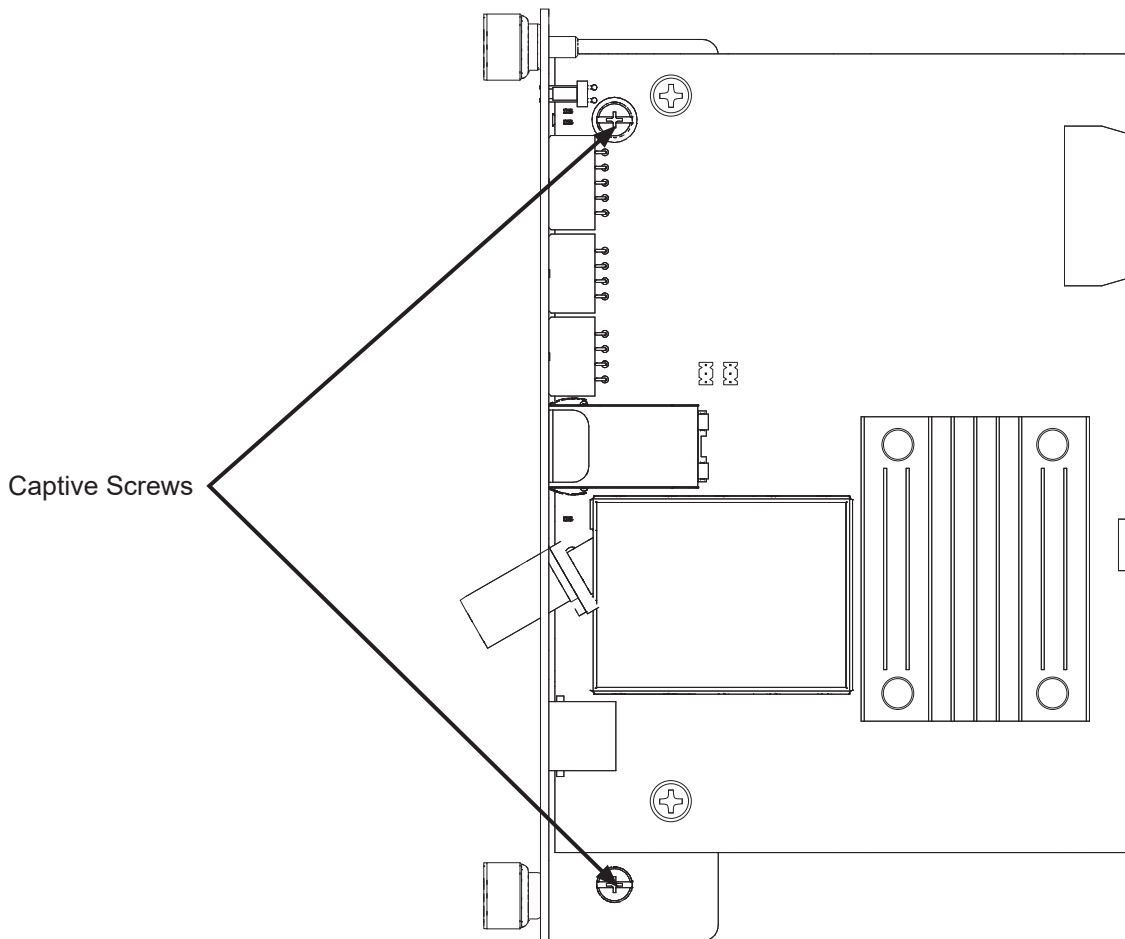


Fig. 7-1, Captive Screw Locations

7.0 Installation, continued

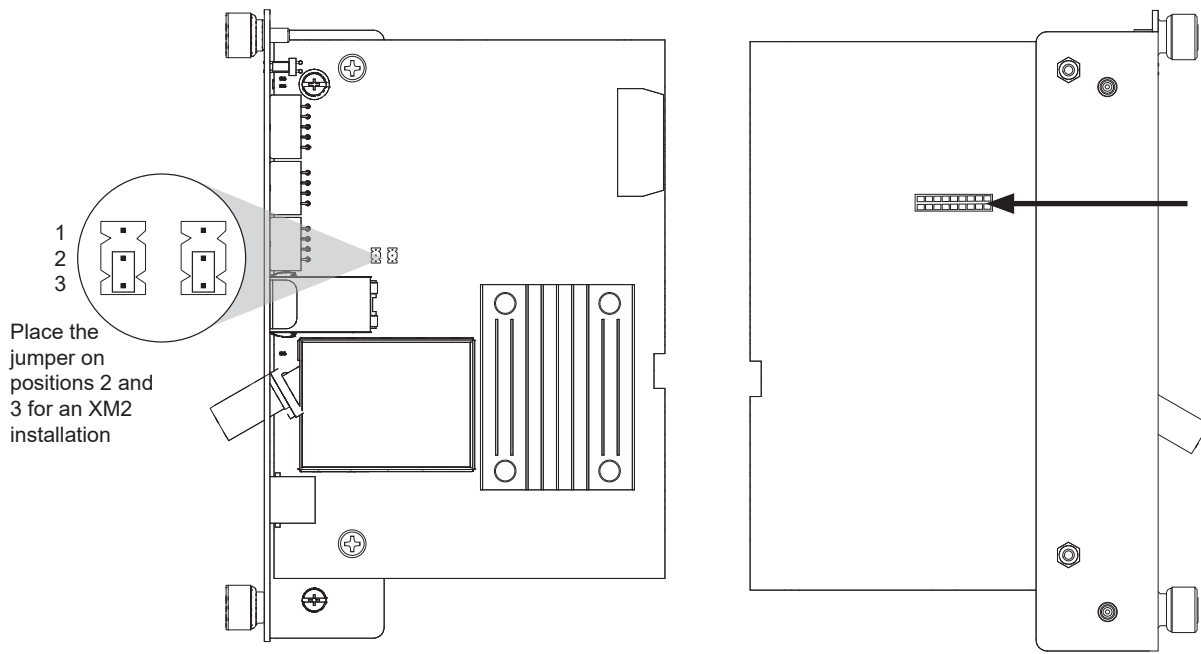


Fig. 7-2, Jumper Location and the 18-Pin Connector

1. Verify the Jumpers (J10 and J11) on the transponder are in the correct position for an XM2 installation (See Fig. 7-2).
2. Line up the 18-pin mating connectors on the DM3X Transponder and the XM2 Inverter Module. Gently push the transponder into the Inverter Module until the 18-pin mating connector is properly seated.

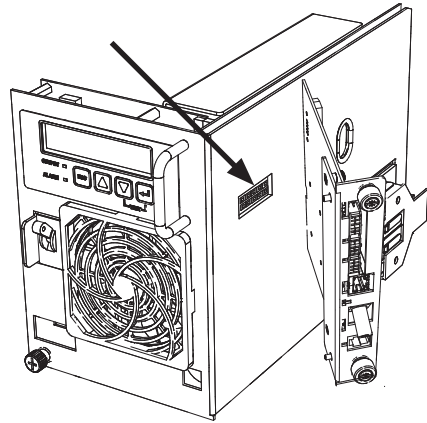
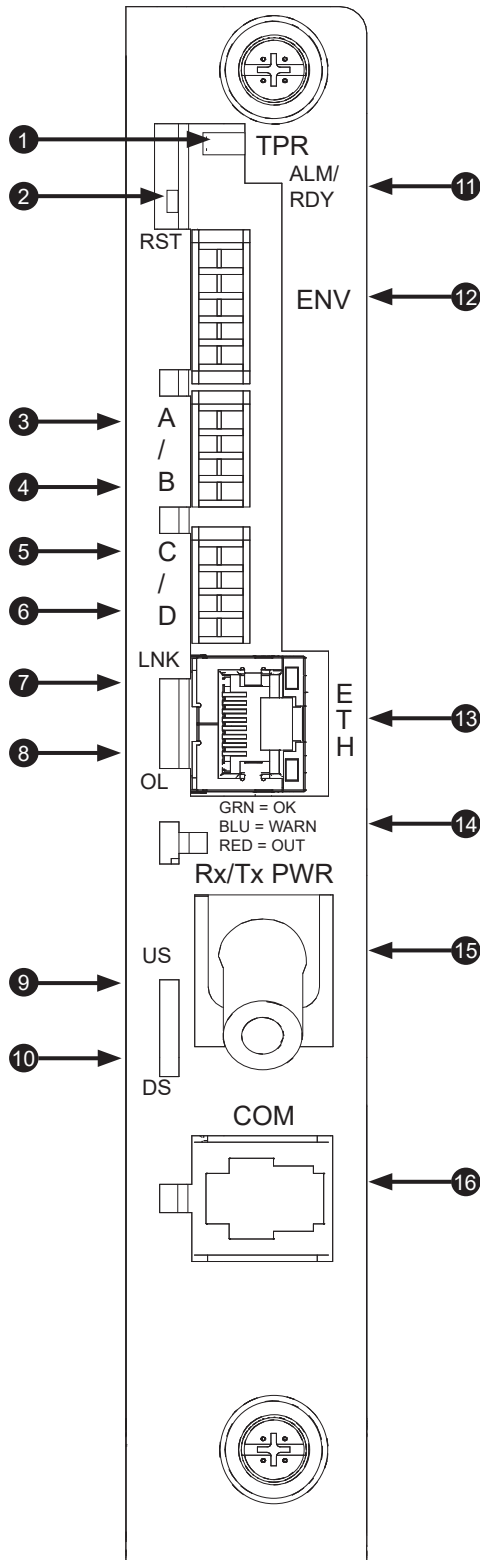


Fig. 7-3, Connecting the Transponder to the Inverter Module

3. Fasten the DM3X Transponder to the Inverter Module by tightening the two captive screws. It is recommended that the screws be tightened alternately, a few turns at a time so the transponder aligns in parallel to the Inverter Module.
4. Reinstall the Inverter Module and tighten the three thumbscrews. Make front panel connections (tamper, temperature sensor, battery sense, RF etc.).
5. Connect the Battery Sense/Power Wire Kit to the A/B port. Refer to the battery diagrams provided with the sense wire kit or reference the section "Battery Sense Wire Kit". Connecting the Battery Sense Wire Kit will power the DM3X transponder.
6. Record the cable modem MAC address from the front of the unit and report it to the network manager for network provisioning.

7.3 DM3X LEDs and Connections



DM3X LEDs and Connectors				
Item	LED or Connector	Status	Behavior	Indication
1	TPR: Tamper Switch Connector			
2	RST: Reset Button			
3	BAT A / B	GRN	ON / OFF	ON (steady) if Battery String(s) Connected Correctly
4	BAT A / B Connector			
5	BAT C / D	GRN	ON / OFF	ON (steady) if Battery String(s) Connected Correctly
6	BAT C / D Connector			
7	LNK: CPE Link Status	GRN	OFF	No Ethernet Link
8			ON	Link on Ethernet Craft Port
8	OL: CPE Activity Status (or Online Status)	GRN	OFF	No Ethernet Communications Activity
			OFF / ON	Momentary flashes during CPE communications via the Ethernet Craft Port when connected to a CPE device OR flashes while performing early authentication, IP connectivity, BPI initialization.
			ON	Online and Operational
9	US: Upstream ranging and registration lock	GRN	OFF	No power, upstream frequency undetermined
			OFF / ON	Power on, downstream locked, upstream frequency ranging, DHCP request in progress
			ON	CMTS registration completed
10	DS: Downstream RF Carrier detection and lock	GRN	OFF	No Power / Downstream Carrier
			OFF / ON	Power on, downstream carrier frequency searching
			ON	Downstream carrier lock
11	ALM / RDY: Alarm and Ready	N/A	OFF	No power or malfunctioning Communications Module
			GRN	ON
		RED	Steady Blinking	Normal Operation
			Blinking more OFF than ON	Minor Alarm
			Blinking more ON than OFF	Major Alarm
12	ENV: Environmental Control Connector			
13	ETH: Ethernet Connection			
14	RF Rx / Tx Power Level Indicator	TRI	OFF	No RF Detected
			BLUE	Rx / Tx Power at a Warning Level as Set Within the SCTE-HMS Property Table
			GREEN	Rx / Tx RF Power Level Within Tolerance
			RED	Rx / Tx Power at an Alert Level as Set Within the SCTE-HMS Property Table
15	RF Connection			
16	COM: AlphaBus Communications Connector			

Fig. 7-4, DM3X LEDs and Connectors

7.4 Connecting the RF Drop



CAUTION!

Install a grounded surge suppressor (Alpha P/N 162-028-10 or equivalent). Failure to install an appropriate surge suppressor may void the warranty



NOTICE:

Alpha Technologies Services, Inc. recommends tightening the RF cable connector and the cables attached to the Grounded Surge Protector to a torque setting of 10in-lb \pm 1in-lb.

Connect the RF drop according to the diagram below. The RF drop must have a properly installed ground block in the power supply enclosure. Recommended downstream RF level is 0 dBmV. Connect any other front panel connections at this time (e.g. battery strings, tamper switch).

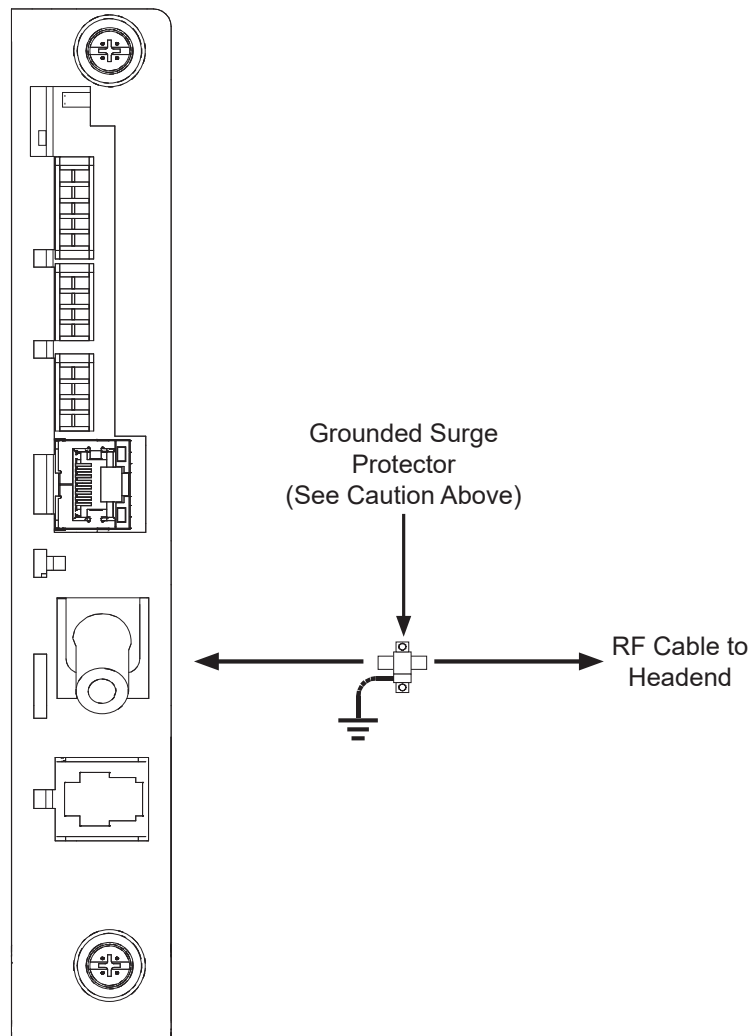


Fig. 7-5, Connecting the RF Drop

7.5 Front Panel Connections



NOTICE:

Alpha Technologies Services, Inc. recommends tightening the RF cable connector and the cables attached to the Grounded Surge Protector to a torque setting of 10in-lb ± 1in-lb.

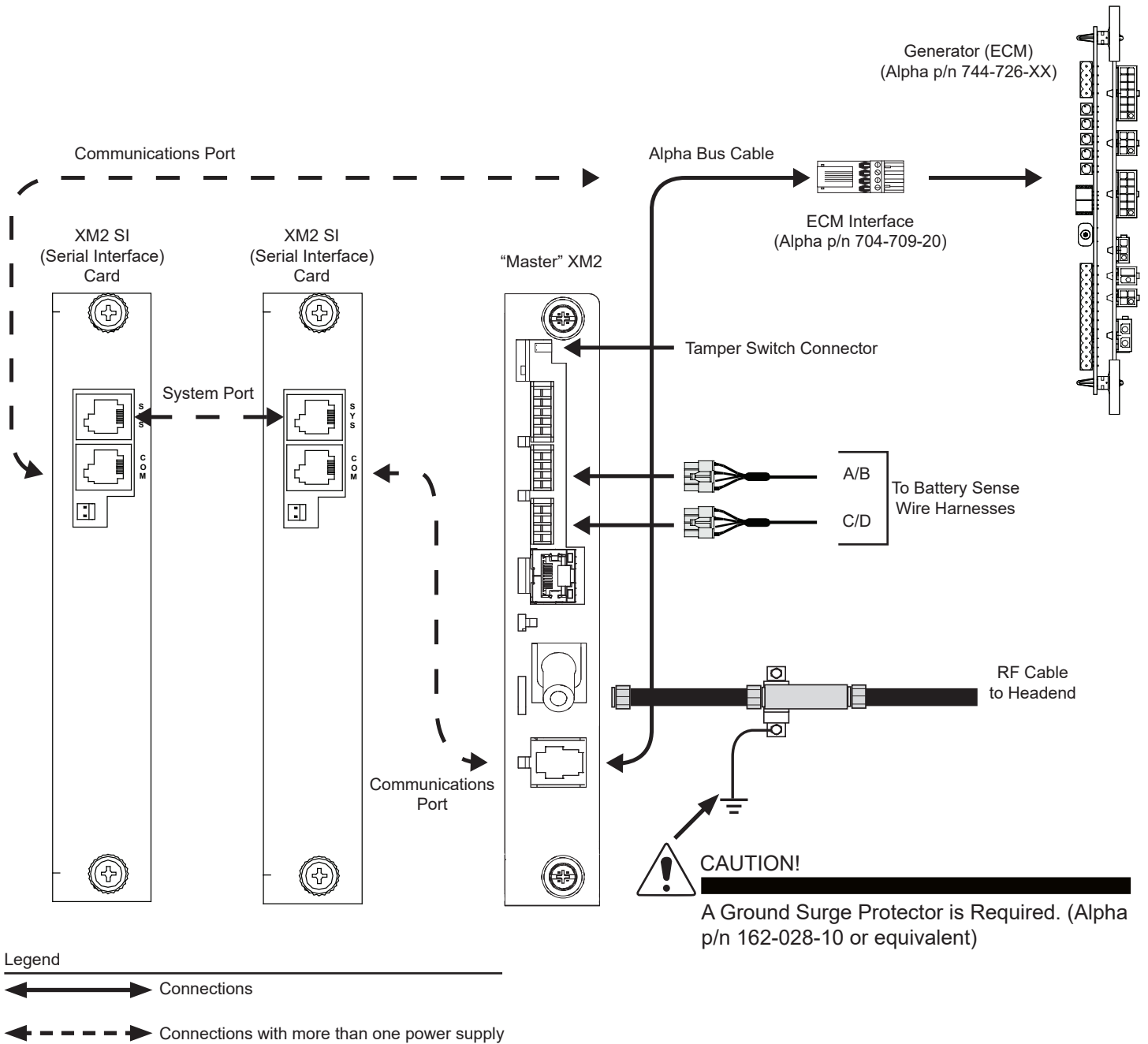


Fig. 7-6, System Interconnection Diagram

7.0 Installation, continued

7.6 I/O Connections (TPR, ENV)

The Alpha DM3X Transponders are all populated with a Tamper interface to report the status of the power supply enclosure door when equipped with the optional tamper switch. The Alpha DM3X Transponders are populated with the Environmental and I/O Controller interface (referred to in this section as I/O Port) which can be used to monitor and control an array of contact relay devices such as battery heater mats, enclosure moisture sensors and emergency generators.

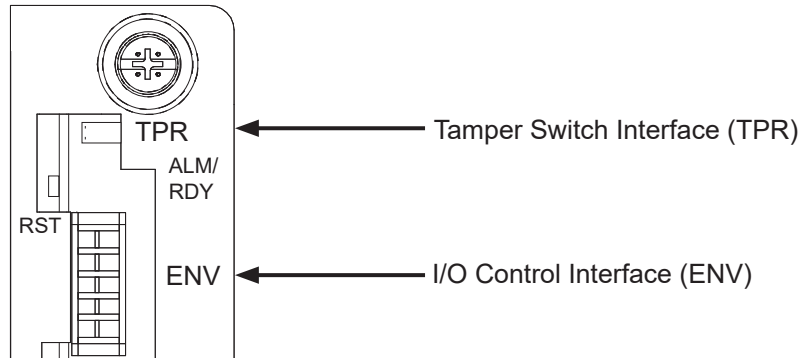


Fig. 7-7, I/O (ENV) and Tamper Switch Interface (TPR) Connection Locations

7.6.1 Tamper (TPR) Switch Interface

The tamper switch interface is designed to report and alarm the status of the power supply enclosure door. The circuit created by the tamper switch is a contact relay, so other contact relay devices can be designed to be monitored through this interface. For example, the Alpha Utility Line Sensor (Alpha P/N 746-399-2X) uses the tamper interface to monitor the Utility outlet to report the presence of line voltage.



NOTICE:

In the OID column of the following table, 'X' denotes power supply device address (Default = 1)

Tamper (TPR) Switch Specifications				
Function	Parameter	OID	Values	Description
Tamper	psTamper	1.3.6.1.4.1.5591.1.4.2.1.27.X See Note 1	1 = Closed 2 = Open	Status of Enclosure Door
Utility Sense	psTamper	1.3.6.1.4.1.5591.1.4.2.1.27.X	1 = No Voltage 2 = Voltage Present	Status of Utility Voltage
	tamperPolarity	1.3.6.1.4.1.926.1.3.2.6.1.0	1 = Report "Open" When Contact Open 2 = Report "Open" When Contact Closed	Controls Polarity of "psTamper" Reporting
Alarm / Trap	psTamper (Closed)	1.3.6.1.4.1.5591.1.1.3.1.3.13.1.3.6.1.4 .1.5591.1.4.2.1.27.X.1	1 = Disable 2 = enableMajor 3 = enableMinor	Alarm Enable for psTamper = Closed
Alarm / Trap	psTamper (Open)	1.3.6.1.4.1.5591.1.1.3.1.3.13.1.3.6.1.4 .1.5591.1.4.2.1.27.X.2	1 = Disable 2 = enableMajor 3 = enableMinor	Alarm Enable for psTamper = "Open"

Table 7-1, Tamper (TPR) Switch Specifications

7.0 Installation, continued

7.6.2 I/O Port Interface

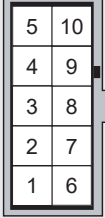
ENV Connector and Pin Descriptions		
ENV Connector	Pin	Description
 <p>Back of ENV Connector</p>	1	Logic Gnd
	2	5V +/- 0.5V voltage Shotky Protection – 15mA max. – Relay current drive
	3	Open/Close Control – 0V/15mA sink = Close, 3.3V/0mA = Open
	4	Open/Close Sense – Pin 4 relay contact short to pin 1 = Close, Pin 4 open = Open
	5	Open/Close Sense – Pin 5 relay contact short to pin 1 = Close, Pin 5 open = Open
	6	Open/Close Sense – Pin 6 relay contact short to pin 1 = Close, Pin 6 open = Open
	7	Open/Close Control – 0V/15mA sink = Close, 3.3V/0mA = Open
	8	Open/Close Sense – Pin 8 relay contact short to pin 1 = Close, Pin 8 open = Open
	9	Not Connected
	10	Not Connected

Table 7-2, ENV Connector and Pin Descriptions

Steps to configure DM3X Transponder to monitor I/O device.

1. Set atiMgmtSysloSelect appropriately (SNMP or Web) for device to monitor.

OID 1.3.6.1.4.1.926.1.3.2.8.1.0

1 = Generic

2 = LAP Only

3 = Heater/Cool Control Only (Heater Mat)

I/O Controller	
Connected Device(s)	Generic Device
Pin 3 - Open/Close Control	Generic Device LAP Only Heater / Cooler Only Generator Only Heater / Cooler + LAP Generator + LAP
Pin 4 - Open/Close Sense	

4 = DC Emergency Generator Only

5 = Heater/Cooler + LAP

6 = DC Generator + LAP

The device can be selected through the Web page by navigating to 'Advanced Configuration', 'I/O – Environment' and selecting from the pull-down list

2. Configure alarms (Generic Only – See below section for details)
3. Monitor appropriate SNMP parameters (See each section below for details)

7.6.3 Configuring I/O Port Connections

Alpha has created logic for control and reporting of specific devices or combination of devices. The Alpha proprietary SNMP MIB atiMgmtSysloSelect, 1.3.6.1.4.1.926.1.3.2.8.1.0 must be set appropriately before the device status will be correctly reported. The monitored device can also be set through the transponder's "Advanced Configuration - I/O" Web page pull-down. The status of the generic I/O Pins can still be monitored and alarmed via the SCTE-HMS discretePropertyTable even when specific devices have been selected.

7.0 Installation, continued

I/O Port Specifications		
atiMgmtSysIoSelect (1.3.6.1.4.1.926.1.3.2.8.1.0)		
MIB Value	Device	Reported Parameter of MIB Branch
1	No Device (Generic)	I/O Pins Only
2	LAP Only	atiMgmtSysIoLAPState 1.3.6.1.4.1.926.1.3.2.8.2.0
3	Heater Control Only	atiMgmtSysTempMgr * 1.3.6.1.4.1.926.1.3.2.4
4	DC Generator Only	atiMgmtSysIoGenState 1.3.6.1.4.1.926.1.3.2.8.3.0
5	Heater Control and LAP	atiMgmtSysIoLAPState atiMgmtSysTempMgr *
6	Generator and LAP	atiMgmtSysIoLAPState atiMgmtSysIoGenState

*MIBs within atiMgmtSysTempMgr branch will report and control will be allowed regardless of the value reported by atiMgmtSysIoSelect

Table 7-3, I/O Port Specifications

7.6.4 I/O Port: Generic Device

The I/O connector on the transponder allow the headend to remotely monitor and control external contact relay devices. Each input pin can be configured through the SCTE-HMS discretePropertyTable for alarm and SNMP trap generation.

I/O Port: Generic Device Specifications				
Function	Parameter	OID	Values	Description
Input	atiMgmtSysIoPinIn4	1.3.6.1.4.1.926.1.3.2.8.21.0	1 = Contact Open	
Input	atiMgmtSysIoPinIn5	1.3.6.1.4.1.926.1.3.2.8.22.0	1 = Contact Open 2 = Contact Closed	Used to monitor moisture sensor
Input	atiMgmtSysIoPinIn6	1.3.6.1.4.1.926.1.3.2.8.23.0	1 = Contact Open 2 = Contact Closed	
Control	atiMgmtSysIoPinCtrl	1.3.6.1.4.1.926.1.3.2.8.20.0	1 = Contact Open 2 = Contact Closed	Open/Close a contact
Alarm / Trap	IoPinIn4(Open)	1.3.6.1.4.1.5591.1.1.3.1.3.13.1.3.6.1.4.1.926.1.3.2.8.21.0.1	1 = disable 2 = enableMajor 3 = enableMinor	Alarm enable when Pin4 contact is Open
Alarm / Trap	IoPinIn4 (Closed)	1.3.6.1.4.1.5591.1.1.3.1.3.13.1.3.6.1.4.1.926.1.3.2.8.21.0.2	1 = disable 2 = enableMajor 3 = enableMinor	Alarm enable when Pin4 contact is Closed
Alarm / Trap	IoPinIn5 (Open)	1.3.6.1.4.1.5591.1.1.3.1.3.13.1.3.6.1.4.1.926.1.3.2.8.22.0.1	1 = disable 2 = enableMajor 3 = enableMinor	Alarm enable when Pin5 contact is Open
Alarm / Trap	IoPinIn5 (Closed)	1.3.6.1.4.1.5591.1.1.3.1.3.13.1.3.6.1.4.1.926.1.3.2.8.22.0.2	1 = disable 2 = enableMajor 3 = enableMinor	Alarm enable when Pin5 contact is Closed
Alarm / Trap	IoPinIn6 (Open)	1.3.6.1.4.1.5591.1.1.3.1.3.13.1.3.6.1.4.1.926.1.3.2.8.23.0.1	1 = disable 2 = enableMajor 3 = enableMinor	Alarm enable when Pin6 contact is Open
Alarm / Trap	IoPinIn6 (Closed)	1.3.6.1.4.1.5591.1.1.3.1.3.13.1.3.6.1.4.1.926.1.3.2.8.23.0.2	1 = disable 2 = enableMajor 3 = enableMinor	Alarm enable when Pin6 contact is Closed
Alarm / Trap	IoPinCtrl (Open)	1.3.6.1.4.1.5591.1.1.3.1.3.13.1.3.6.1.4.1.926.1.3.2.8.20.0.1	1 = disable 2 = enableMajor 3 = enableMinor	Alarm enable when control contact is Open
Alarm / Trap	IoPinCtrl (Closed)	1.3.6.1.4.1.5591.1.1.3.1.3.13.1.3.6.1.4.1.926.1.3.2.8.20.0.2	1 = disable 2 = enableMajor 3 = enableMinor	Alarm enable when control contact is Closed

Table 7-4, I/O Port: Generic Device Specifications

7.0 Installation, continued

7.6.5 Connecting a Generic I/O Device

For generic device configurations consult your Alpha representative.

7.6.6 Configuring and Monitoring a Generic I/O Device

Set the parameter `atiMgmtSysloSelect` 1.3.6.1.4.1.926.1.3.2.8.1.0 to a value of "1" (Generic). Alternatively, navigate to 'Advanced Configuration', 'I/O – Environment' and select "Generic Device" from the pull-down list.

I/O Controller	
Connected Device(s)	Generic Device
	Generic Device LAP Only Heater / Cooler Only Generator Only Heater / Cooler + LAP Generator + LAP
Pin 3 - Open/Close Control	
Pin 4 - Open/Close Sense	

The status of the control and input pins can be monitored through the following OIDs.

Pin 3 (Control) 1.3.6.1.4.1.926.1.3.2.8.20	1 = Contact Open 2 = Contact Closed
Pin 4 (Input) 1.3.6.1.4.1.926.1.3.2.8.21	1 = Contact Open 2 = Contact Closed
Input Pin 5 (Input) 1.3.6.1.4.1.926.1.3.2.8.22 t	1 = Contact Open 2 = Contact Closed
Pin 6 (Input) 1.3.6.1.4.1.926.1.3.2.8.23	1 = Contact Open 2 = Contact Closed

Voltage to drive Pin 3 is managed through the following SNMP OID.

<code>atiMgmtSystempCtrl</code> 1.3.6.1.4.1.926.1.3.2.4.1	1 = Off 5 = On
--	-------------------

The SCTE-HMS `discretePropertyTable` can be configured to generate SNMP traps based upon the desired contact state of any of the I/O input or control pins (see Table 7-3).

7.0 Installation, continued

7.6.7 I/O Port: Heater Mat Control

**NOTICE:**

The Heater Control MIBs will continue to report regardless of atiMgmtSysIoSelect value, but the Web page will only display Heater Control status if atiMgmtSysIoSelect is set to “3” or “5.”

atiMgmtSysIoSelect = 3,5

A battery heater mat controller may be managed through the following set of parameters within the ‘atiMgmtSysTempMgr’ MIB branch.

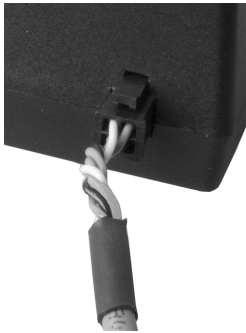
I/O Port: Heater Mat Control Specifications			
Parameter	Access	Values	Description
atiMgmtSysTempCtrl 1.3.6.1.4.1.926.1.3.2.4.1.0	RW	1 = Off 2 = Switch on Timer	Starts or stops the heater mat activation timer
atiMgmtSysTempStatus 1.3.6.1.4.1.926.1.3.2.4.2.0	R	1 = Contact Open 2 = Contact Closed	The heater mat is activated when this parameter reports “2”
atiMgmtSysTempTimer 1.3.6.1.4.1.926.1.3.2.4.7.0	RW	0..1440 (Default = 30)	The number of minutes the heater mat will stay on when timer is started
atiMgmtSysTempCountdown 1.3.6.1.4.1.926.1.3.2.4.8.0	R	0..1440	Number of minutes remaining on timer
atiMgmtSysTempStatusInvert 1.3.6.1.4.1.926.1.3.2.4.9.0	RW	1 = No invert (default) 2 = Invert	The manufacturer of the mat control block created some models where the polarity is reversed (Open vs closed). If these devices are deployed then this parameter will need to be set to “2”

Table 7-5, I/O Port: Heater Mat Control Specifications

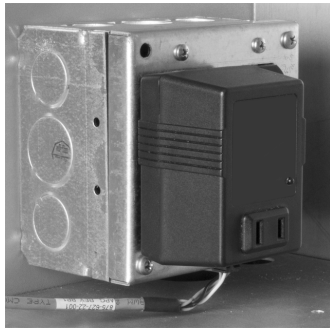
7.0 Installation, continued

7.6.8 Connecting the Battery Heater Mat Controller

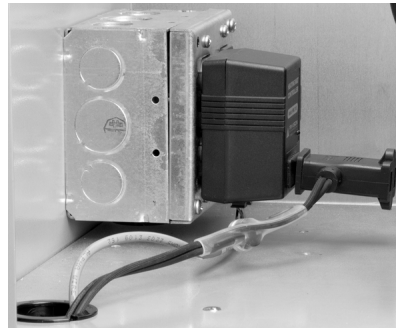
Power to the heater mat is provided via a customer-supplied controller plugged into the power outlet inside the enclosure. A cable (Alpha p/n 875-627-22) connects the controller to the ENV (Environmental) connector on the transponder. The connection procedure is shown below.



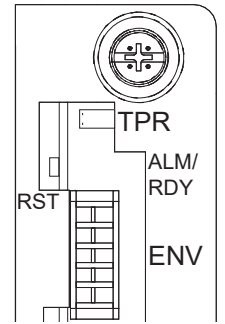
Connect the 4-pin connector from the controller cable into the base of the Heater Mat Controller.



Plug the controller into the power outlet.



Plug the Heater Mat into the controller.



Plug the 10-pin connector into the ENV connector.

Once the connection has been made, Environmental Control Management can be configured using an SNMP MIB browser as indicated in the following tables. The Environmental Control MIB section begins at `atiMgmtSysTempMgr` (1.3.6.1.4.1.926.1.3.2.4). Status of the Environmental Control is also available via the Communications Module's Web page by navigating to 'Advanced Configuration', 'I/O – Environment'. Ensure the 'Heater/Cooler Only' is selected from the drop-down list.

I/O Controller	
Connected Device(s)	Generic Device
Pin 3 - Open/Close Control	Generic Device LAP Only Heater / Cooler Only Generator Only
Pin 4 - Open/Close Sense	Heater / Cooler + LAP Generator + LAP

7.0 Installation, continued

7.6.9 Configuring the Battery Heater Mat Controller

In this example, values are written to their respective OIDs to set temperatures, control mode and status reporting.

Heater Mat OIDs and Functionality	
Set these OIDs to the Specified Value	Functionality
atiMgmtSysTempTemperature (1.3.6.1.4.1.926.1.3.2.4.5) to 5	Heater turns on at 5°C
atiMgmtSysTempHysteresis (1.3.6.1.4.1.926.1.3.2.4.6) to 3	3°C of permitted controller overshoot (in this case, would turn off at 8°C)
atiMgmtSysTempCtrl (1.3.6.1.4.1.926.1.3.2.4.1) to 3	Battery temperature sensor used to control heater setpoint
atiMgmtSysTempMode (1.3.6.1.4.1.926.1.3.2.4.3) to 1	Places controller in heater mode
atiMgmtSysTempActiveState (1.3.6.1.4.1.926.1.3.2.4.4) to 1	Drive pin to the temperature device will go low when heater is on
atiMgmtSysTempStatusInvert (1.3.6.1.4.1.926.1.3.2.4.9) to 1	Sets the polarity of the feedback signal from the temperature device

Table 7-6, Heater Mat OIDs and Functionality

During operating, the following MIB points will report the current temperature and whether the heater is on or off.

Heater Mat MIB Reports	
SNMP MIB Point	Data
atiMgmtSysTempStatus (1.3.6.1.4.1.926.1.3.2.4.2)	Temperature device ON or OFF
atiBBSysViewBatteryTemperature (1.3.6.1.4.1.926.1.4.1.1.3.5)	Battery temperature (in degrees C)

Table 7-7, Heater Mat MIB Reports

7.6.10 I/O Port: Emergency DC Generator (GEN)

atiMgmtSysloSelect = 4, 6

The DM3X Transponders have the capability to report the status of the Alpha DCX Series Emergency DC Generator through the I/O or “ENV” port on the front of the transponder.

See the DCX3000/DCX2000 Remote Status Monitoring (RSM) Assembly Kit Field Installation Guide, p/n 746-379-C0.

7.0 Installation, continued

7.6.11 Configuring and Monitoring the DC Emergency Generator

Set the parameter `atiMgmtSysloSelect 1.3.6.1.4.1.926.1.3.2.8.1.0` to a value of “4” (Generator). Alternatively, navigate to ‘Advanced Configuration’, ‘I/O – Environment’ and select “Generator Only” from the pull-down list.

I/O Controller	
Connected Device(s)	Generic Device
	Generic Device LAP Only Heater / Cooler Only Generator Only Heater / Cooler + LAP Generator + LAP
Pin 3 - Open/Close Control	
Pin 4 - Open/Close Sense	

The status of the Generator can be monitored through I/O – Environment web page or via the SNMP MIB `atiMgmtSysloGenState 1.3.6.1.4.1.926.1.3.2.8.3.0`.

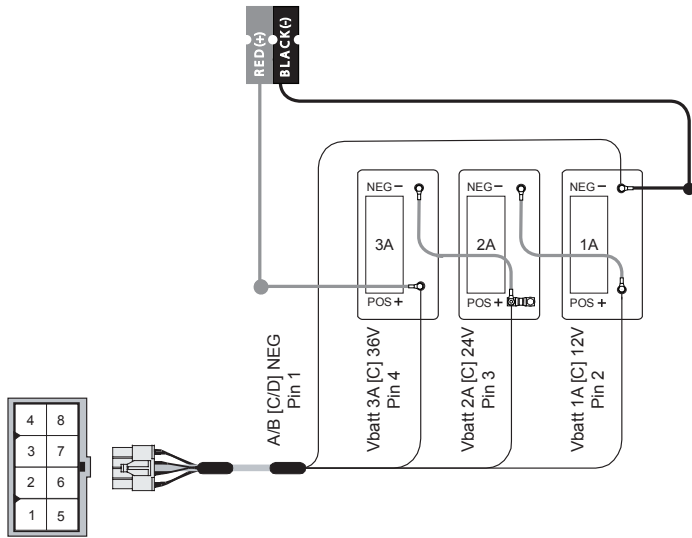
I/O Port: Heater Mat Control Specifications	
Value List	Description
<code>atiMgmtSysloGenState (1.3.6.1.4.1.926.1.3.2.8.3.0)</code>	
<code>notInstalled(1)</code>	This indicates that <code>atiMgmtSysloSelect</code> has not been set to a value of 4 (Generator).
<code>genOff(2)</code>	The generator has been detected but it is not powering the load.
<code>genRunning(3)</code>	The generator is present, and it is powering the load.
<code>genNotDetected(4)</code>	<code>atiMgmtSysloSelect</code> has not been set to “4” (Generator) but the Generator is not detected.
<code>atiMgmtSysloGenTimePowering (1.3.6.1.4.1.926.1.3.2.8.3.0)</code>	
Time (Minutes)	Increments when <code>atiMgmtSysloGenState = 3</code> ; resets to “0” when <code>atiMgmtSysloGenState</code> changes to any other value
Both of the above parameters can be alarmed through the SCTE-HMS <code>propertyIdent</code> MIB	

Table 7-8, Generator Monitoring Values

8.0 Battery Sense Wire Kits

8.1 36V Single and Dual Strings

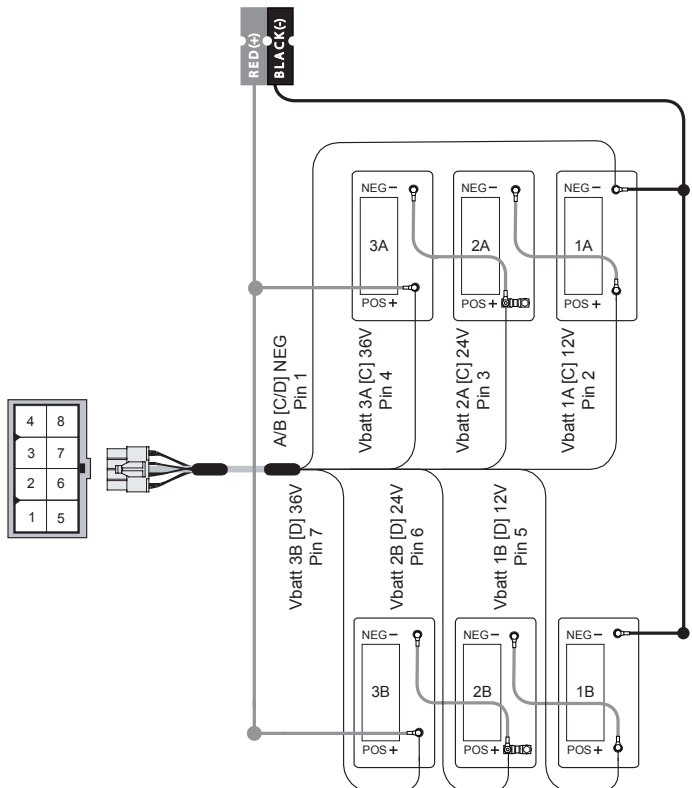
Battery Sense Wire Kits are required to power the transponder, as well as for individual battery voltage monitoring. The Battery Sense Wire Kits are connected to the transponder battery connections A/B for battery strings 1 and 2 and the C/D connector for battery strings 3 and 4.



Sense Wire Kits:

- Alpha P/N: 874-842-21 (6')
- Alpha P/N: 874-842-27 (9')

Fig. 8-1, 36V System, Single String



Sense Wire Kits:

- Alpha P/N: 874-842-20 (6')
- Alpha P/N: 874-842-28 (9')

Fig. 8-2, 36V System, Dual String

8.0 Battery Sense Wire Kits, continued

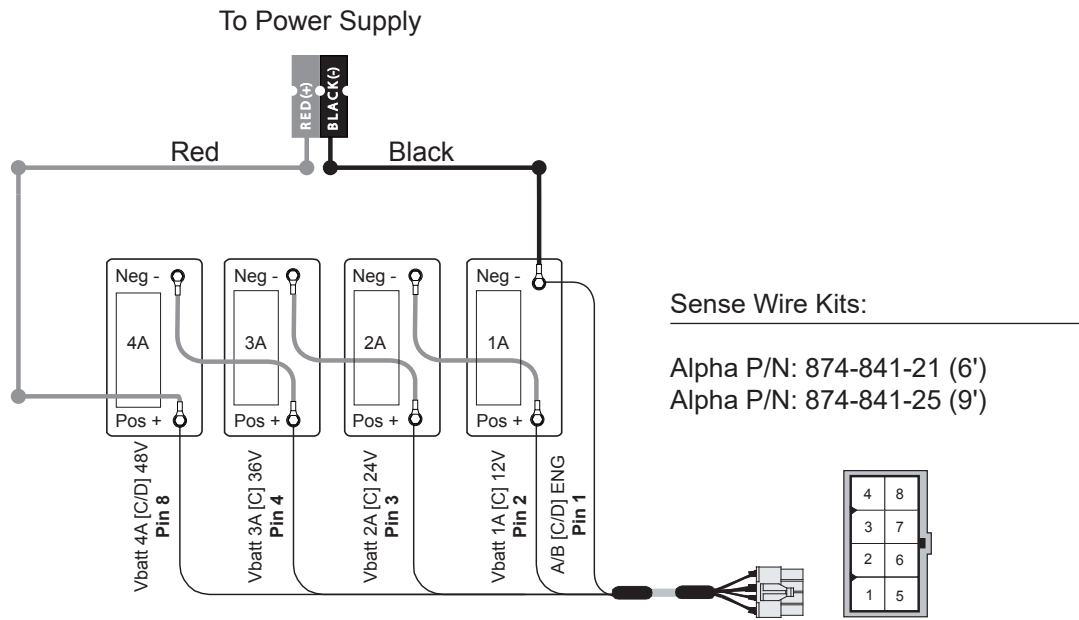


Fig. 8-3, 48V System, Single String

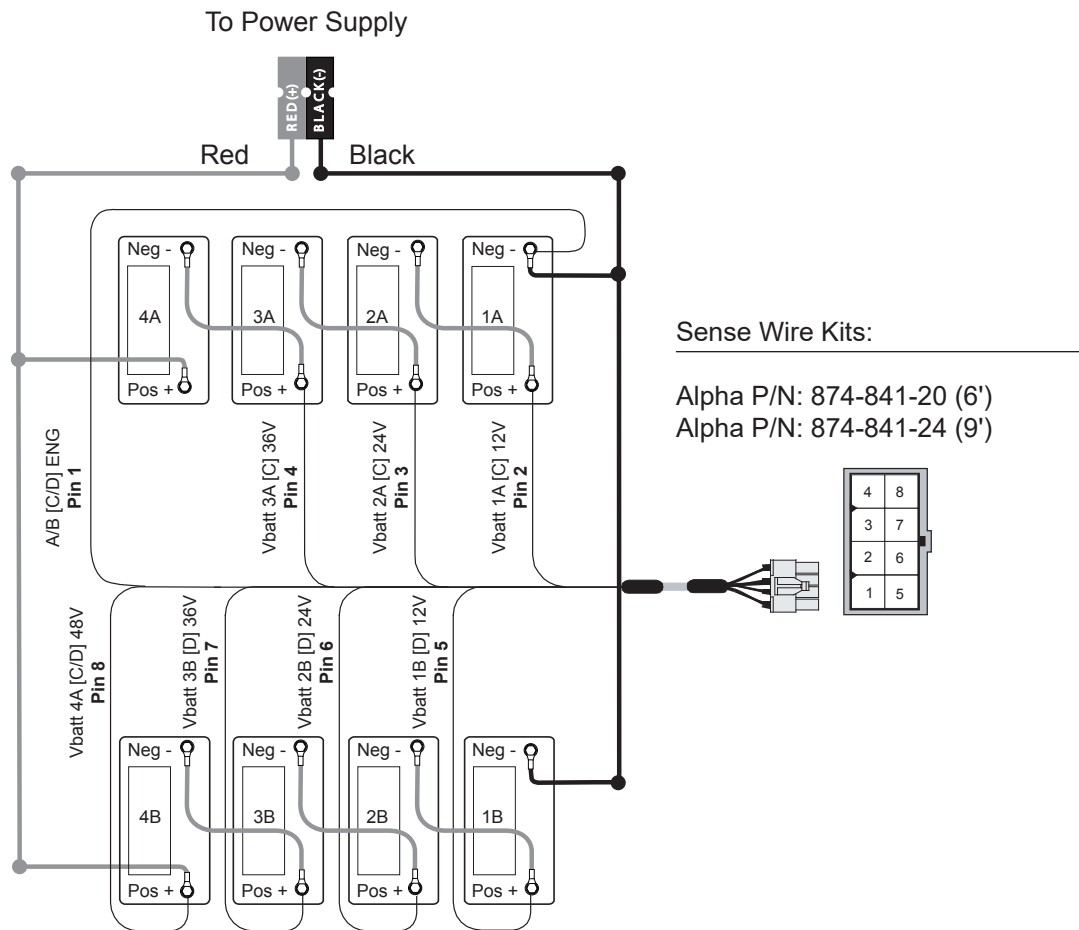


Fig. 8-4, 48V System, Dual String

9.0 Start Up and Verification

9.1 Initial Start Up and Local Verification

To confirm successful hardware installation before leaving the installation site, verify network connectivity and correct hardware interconnection.

To Verify Network Connectivity:

The DS and REG LEDs on the front of the DM3X Transponder should be ON solid green. This indicates successful registration with the headend. In addition, the RF LED should also be ON solid green indicating proper RF power levels and the ALM/RDY LED should be blinking green for normal operation.

With the DM3X Transponder used in conjunction with the XM2 power supply, network connectivity can be verified via the COMM menu on the XM2 LCD Display. Pressing ENTER while in the Operation Normal screen will open the Comms Information display (only displayed when paired with suitable communications module, otherwise display will read "NO DATA"). When accessing the information display, information displays in Auto Scroll mode. Press UP or DOWN to access information one step at a time. Press ENTER to access the Setup Menu. Press ESCAPE to reactivate Auto Scroll mode. Press ESCAPE a second time to reactivate Operation Normal mode (up one level)

The following provides a list of parameters available on the XM2 LCD Display COMMS Menu populated with sample values.

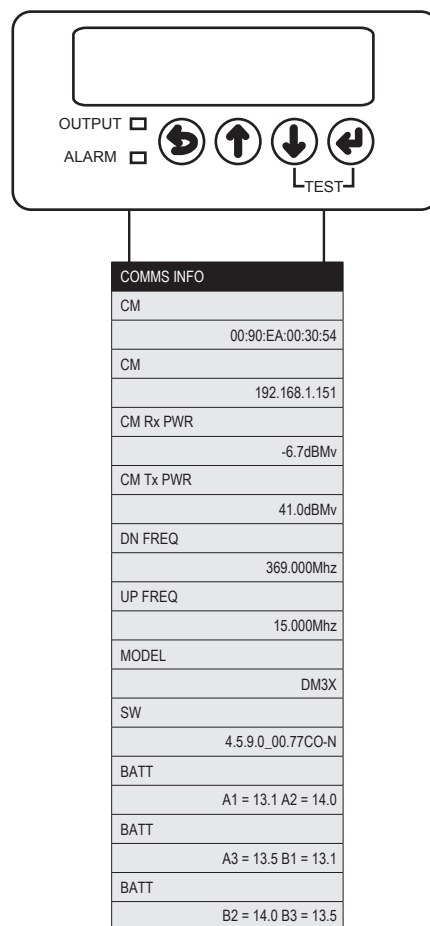


Fig. 9-1, XM2 Smart Display Screens

9.0 Start Up and Verification, continued

Connect a computer's network port to the transponder's Ethernet port using a standard network cable. Launch an Internet browser and enter 192.168.100.1 into the address. The transponder will return the Web page shown below. Click on General to display the key communications parameters including system uptime, IP provisioning mode (IPv4, IPv6 & MDD), upstream and downstream power levels and the cable modem's IP address, which confirms connectivity.

AlphaNet™ DOCSIS Status Monitor
General Configuration

General Advanced Configuration Apps History Language Print

Communications

Transponder Model	DM3x	
Configuration	X3-DM3x-NG-TEST	
System Uptime	3 Days 05h:49m:17s	
Firmware Version	DM3-4.4.6.0_03.00_NA	
	CM	CPE - Transponder
MAC Address	00:90:EA:00:74:7E	00:90:EA:00:74:7F
IP Address	192.168.1.139	192.168.1.121
CM Tx (dBmV)	47.0	
CM Rx (dBmV)	0.4	
SNR (RxMER)	45.4	
System Name	<input type="text" value="ABC Cable"/> <input type="button" value="Set"/>	
System Location	<input type="text" value="Bellingham"/>	
System Contact	<input type="text" value="John Doe"/>	
Common Logical ID	<input type="text"/>	

Fig. 9-2, Communications Section - General Page

9.0 Start Up and Verification, continued

9.2 Verifying Correct Hardware Interconnection



NOTICE:

The DM3X model provides both BAT A/B and BAT C/D LED indicators and battery harness connectors (supports a maximum 4 battery strings).

The BAT A/B and BAT C/D LED indicators on the front panel of the DM3X unit should illuminate solid green once the battery wiring harnesses are correctly installed. A system with multiple strings must use String A as the first string, B as the second, C as the third and D as the fourth.

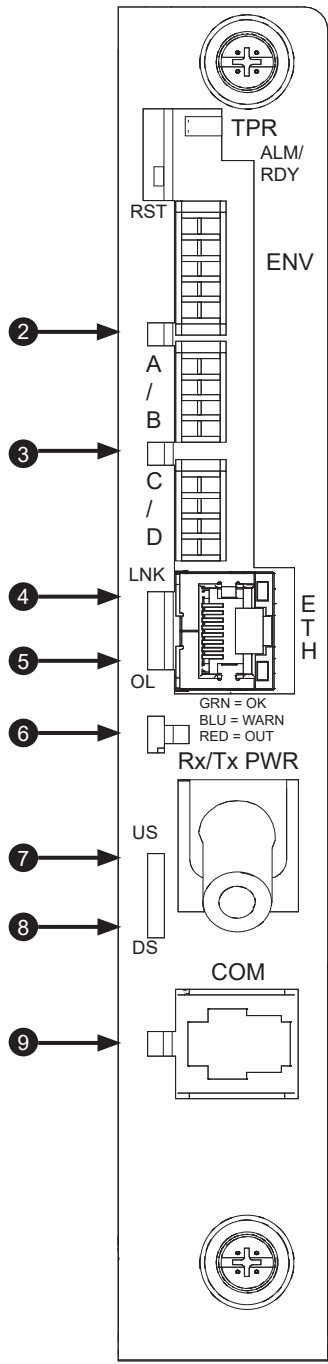
From the Power Supplies and Batteries section of General tab of the DM3X Web page, the following screen will be visible and the parameters shown will be available for viewing and verification. To test hardware interconnection using the Ethernet port, verify valid values for Output Voltage, Output Current and individual battery voltages.

Power Supplies			
	Device 1		
Model	ALPHA/PS MODEL NOT SET		
Firmware	V7.09.0		
Major Alarm		OK	
Minor Alarm		OK	
Operational Mode	LINE		
Charger Mode	Float		
Input Voltage (V)	120.00		
Inverter Status		OFF	
Time Since Last Standby Event	0 Days, 0 Hrs, 0 Mins and 0 Secs		
Last Standby Event Duration	0 Days, 0 Hrs, 10 Mins and 8 Secs		
Self Test	Start Test		
Tamper		Closed	
Output Voltage (V)	87.00		
Output 1 Current (A)	11.60		
Output 2 Current (A)	0.00		
Batteries			
Battery String Runtime Remaining	Calculating		
Battery Balancing	Balancing String A		
Battery Temperature (°C)	15		
Total String Voltage (V)	41.20		
	Battery 1 (V)	Battery 2 (V)	Battery 3 (V)
String A	13.90	13.90	13.90
String B	13.90	13.90	13.80

Fig. 9-3, Power Supply Section - General Page

9.3 System Status Indicators and Reset Button

As viewed from the front of the unit, the DM3X Transponder utilizes LEDs to indicate system status. During system start up, the LEDs will first blink momentarily then indicate the current status of a variety of parameters on the DM3X Transponder. The LEDs indicate alarms, RF power level status, battery string connectivity and communications activity with the network. A description of each LED follows.



LED Functionality and Indications				
Item	LED or Connector	Status	Behavior	Indication
1	ALM / RDY: Alarm and Ready	N/A	OFF	No power or malfunctioning Communications Module
		GRN	ON	Reset of the DM3.0 Series in in process
			Steady Blinking	Normal Operation
		RED	Blinking more OFF than ON	Minor Alarm
Blinking more ON than OFF	Major Alarm			
2	BATT A / B	GRN	ON / OFF	ON (steady) if Battery String(s) Connected Correctly
3	BATT C / D	GRN	ON / OFF	ON (steady) if battery string(s) connected correctly
4	LNK: CPE Link Status	GRN	OFF	No Ethernet Link
			ON/OFF	Link on Ethernet Craft Port
5	OL: CPE Activity Status	GRN	OFF	No Ethernet Communications Activity
			OFF / ON	Momentary flashes during CPE communications via the Ethernet Craft Port when connected to a CPE device OR flashes while performing early authentication, IP connectivity, BPI initialization.
			ON	Online and Operational
6	RF Rx / Tx Power Level Indicator	TRI	OFF	No RF Detected
			BLUE	Rx / Tx Power at a Warning Level as Set Within the SCTE-HMS Property Table
			GREEN	Rx / Tx RF Power Level Within Tolerance
7	US: Upstream ranging and registration lock	GRN	OFF	No power, upstream frequency undetermined
			OFF / ON	Power on, downstream locked, upstream frequency ranging, DHCP request in progress
			ON	CMTS registration completed
8	DS: Downstream RF Carrier detection and lock	GRN	OFF	No Power / Downstream Carrier
			OFF / ON	Power on, downstream carrier frequency searching
			ON	Downstream carrier lock
9	COM: AlphaBus Communications	GRN	OFF	No AlphaBus Communications
			OFF / ON	Momentary Flashes - AlphaBus Port Communications Active

Fig. 9-4, LED Functionality and Indications

9.0 Start Up and Verification, continued

9.3.1 Detailed LED Descriptions

After power is applied or a reset occurs, all LEDs will flash in certain patterns indicating the cable modem chipset is starting or restarting. Once it is ready, it will begin the DOCSIS requirement of searching for the downstream frequency lock and the LEDs will follow the detailed descriptions below.

ALM/RDY - Alarm/Ready

During normal operation, this LED blinks GREEN, indicating a heartbeat pulse from the processor. The frequency of flashing by this LED provides a visual alert for power supply discrete major and minor alarms, if configured in the property and discrete property tables of the SCTE-HMS MIB. The ALM LED (RED) is factory defaulted OFF. Refer to Section 6.2.3, General Power Supply Alarms for information on configuring the DM3X Transponder for active monitoring and alarming. If an event triggers an HMS alarm, the ALM/RDY LED blinks RED according to the alarm type until the alarm has been resolved. For a minor alarm, the frequency of flashing (RED) will be more OFF than ON and for a major alarm the frequency of flashing will be (RED) more ON than OFF. If there are multiple active alarms, including one or more major alarms with one or more minor alarms, the major alarm will take precedence in terms of the indication.

DS - Downstream Communication

This LED indicates the state of the CM's attempt to gain a downstream signal. This process may take several seconds, depending on how long it takes the CM to locate a carrier signal and lock onto a channel. The LED flashes while searching for the downstream DOCSIS channel and is on solid when the downstream channel is locked.

US - CM Registration

Once a downstream channel has been negotiated between the CM and CMTS, the modem attempts to register with the DHCP server and obtain the Configuration File. This LED flashes while the process takes place. Once a ranging status of 'success' has been received, the LED will remain on solid. This is the best indication that the DM3.0 Series Transponder is communicating with the CMTS in the headend.

OL - Network Communication Status

The Ethernet link LED remains ON when there is an active connection on the Ethernet port (e.g., a computer is connected for local diagnostics). Momentary flashes during CPE communications via the Ethernet Craft Port when connected to a CPE device OR flashes while performing early authentication, IP connectivity, BPI initialization.

LNK - CPE Activity

The CPE activity LED flashes to indicate that data is being transmitted or received between the DM3.0 Series Transponder and a network device.

9.0 Start Up and Verification, continued

Rx/Tx Power

The Rx/Tx PWR LED utilizes a tricolor LED to provide the installer a quick verification of the modem transmit (Tx) and receive (Rx) RF power levels. The Rx/Tx PWR LED will illuminate green when both the cable modem Tx and cable modem Rx RF power levels are within the range as specified in the SCTE-HMS PropertyTable. The LED indicator illuminates blue when Rx and/or Tx levels are within the warning range as specified by the SCTE-HMS PropertyTable. The LED indicator illuminates red when Rx and/or Tx levels are outside the range as specified by the SCTE-HMS PropertyTable.

Refer to the following table for default ranges in the SCTE-HMS PropertyTable:

SCTE-HMS Property Table							
	Parameter	alarm Enable	HiHi	Hi	Lo	LoLo	Deadband
Rx	docsIfDownChannelPower (OID:1.3.6.1.2.1.10.127.1.1.1.1.6)	00 (0F*)	150	100	-100	-150	15
Tx	docsIfCmStatusTxPower (OID:1.3.6.1.2.1.10.127.1.2.2.1.3)	00 (0C*)	550	500	00	00	15

Table 9-1, SCTE-HMS Property Table

By default, alarmEnable is set to 00 (disabled) to prevent unwanted SNMP traps but the LED behavior will function as if the alarmEnable were set to the values in the above table. If the alarmEnable bits are set to anything other than 00, the LEDs will then follow the behavior of the desired enable bit setting.

The above default values translate into the following Rx/Tx Power LED color ranges:

Rx / Tx Power LED Color Ranges		
LED Color	Rx Range (dBmV)	Tx Range (dBmV)
Green	+10 to -10	0 to +50
Blue	+15 to +10 and -10 to -15	+50 to +55
Red	>+15 and <-15	>+55

Table 9-2, Rx/Tx Power LED Color Ranges

In addition to the above SCTE-HMS PropertyTable entries, the Tx and Rx levels displayed on the transponder Web page will each provide colored indicator bars that correlate to the RF LED and SCTE-HMS PropertyTable thresholds.

9.0 Start Up and Verification, continued

Rx/Tx Power

The current RF level status for both the Rx and Tx will be displayed on the colored scale highlighted in black, providing verification of modem RF power levels. Refer to the figure below for an example of the RF power level indicator bars on the Web page.

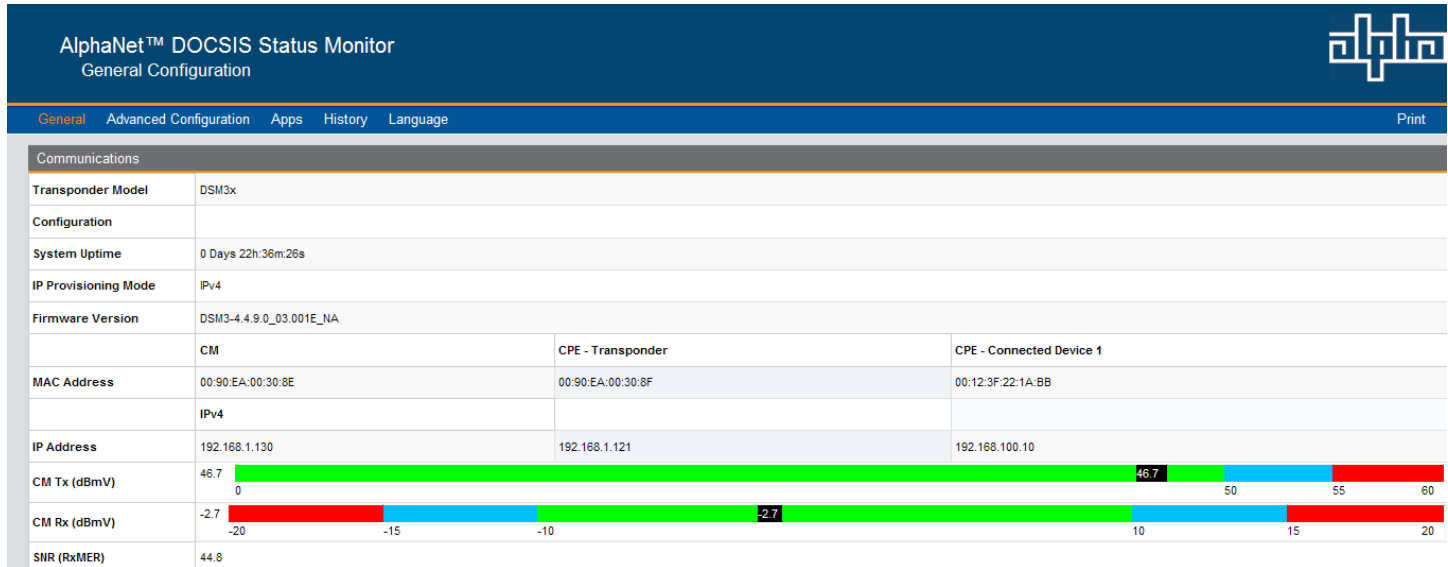


Fig. 9-5, Transponder Web Page, RF Power Level Indicators

Configuring the Rx/Tx Power LED - Custom Settings

If desired, the RF Power Level ranges for the Rx/Tx PWR LED may be customized via SNMP by adjusting the HiHi, Hi, Lo, LoLo values for the docsIfDownChannelPower and docsIfCmStatusTxPower in the SCTE-HMS Property Table (OID:1.3.6.1.4.1.5591.1.1.1). Be careful not to exceed the RF Input Power and Output Power range specifications of the DM3X Transponder.

COM - AlphaBus Communications

The COM LED indicates any data traffic being received by the DM3X through the COM (AlphaBus) port. This LED will also blink one to three times approximately every 10 seconds, which indicates communication exists between the DM3X and other connected devices, such as a generator or additional XM2.

BAT A/B - Battery Strings A & B

The LED indicator remains ON solid when the battery string wiring harness is correctly connected to the batteries and the Bat A/B connector on the DM3X.

BAT C/D - Battery Strings C & D

The LED indicator remains ON solid when the battery string wiring harness is correctly connected to the batteries and the Bat C/D connector on the DM3X.

9.0 Start Up and Verification, continued

9.3.2 Resetting the Transponder

Should the need arise to reset the transponder locally, such as in the case of adding additional power supplies, a generator, or carrying out maintenance activities, do the following:

Press and hold the reset button (RST) for approximately three (3) seconds until the ALM/RDY LED stops blinking and turns solid (green). Release the button. The transponder will perform its power up sequence.

9.4 Verifying Communications via the Headend

Using SNMP, check connectivity by verifying power supply data by doing the following:

- With a MIB browser, check power supply data in the psIdent MIB branch (1.3.6.1.4.1.5591.1) of the SCTE-HMS tree.
- With network management software, verify the DM3X Transponder has been identified and is reporting data correctly.

9.0 Start Up and Verification, continued

9.5 Dual IP Mode

9.5.1 Overview

The DM3X Transponder can operate in either Single (default) or Dual IP mode. In Single IP mode, data from both the cable modem and power supply are accessed and managed through the modem's IP address on the secure private modem network. In Dual IP mode, the Communications Module acts like a CPE device to the cable modem and registers a second IP address on the public CPE network.

The following table lists some of the common characteristics of the DM3X Single IP and Dual IP configurations:

Single IP Mode vs. Dual IP Mode		
	Single IP	Dual IP
Network	All data from both the cable modem and power supply are accessed and managed through the modem's IP address on the secure private modem network.	The Communications Module acts like a CPE device to the cable modem and registers a second IP address on the public CPE network.
Data Access	The Network Management System requires access to the same private modem network.	Dual IP mode allows the power supply data to be accessed and managed from anywhere within the public (CPE) network.
Security	Communication with the Communications Module is limited to the private LAN network and is very secure.	Since the Communications Module is a CPE on the public network, access may be less secure.
IP Addresses	Where the IP address pool is limited, there is no need to issue the Communications Module a CPE IP address. Only one (1) IP Address is required for the cable modem of the DM3.	The CPE requires its own IP address, which may be in short supply. A total of two (2) IP addresses are required, one for the cable modem and one for the Communications Module.
Data Management	Access to the Communications Module is limited to the private LAN network making data management less versatile, especially for field personnel.	The Communications Module is accessible on the public (CPE) network. This makes data management more versatile for field personnel.

Table 9-3, Single IP Mode vs. Dual IP Mode

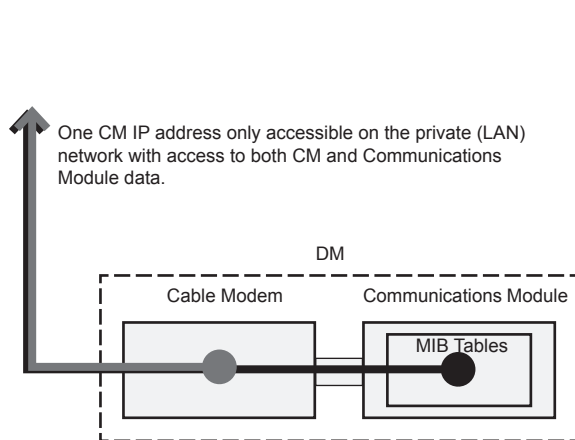


Fig. 9-6, Simplified Block Diagram Single IP Mode

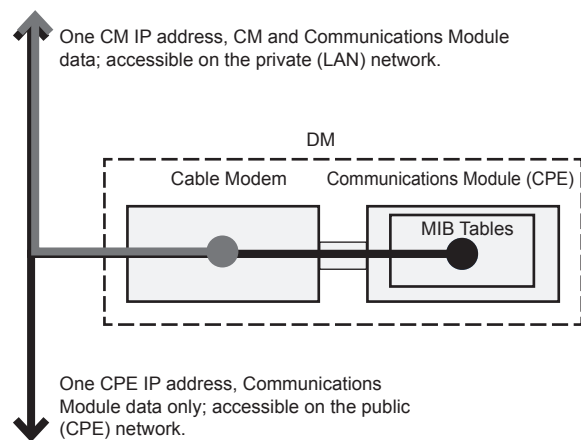


Fig. 9-7, Simplified Block Diagram Dual IP Mode

9.0 Start Up and Verification, continued

9.5.2 Web Comparison, Single IP Mode/Dual IP Mode

To easily determine the configuration of the Communications Module when viewing it on its web page, check the Configuration line as well as the entries for the CM and CPE addresses. A single IP Communications Module will display a CM MAC address only, while a Dual IP Communications Module will also indicate a CPE address.

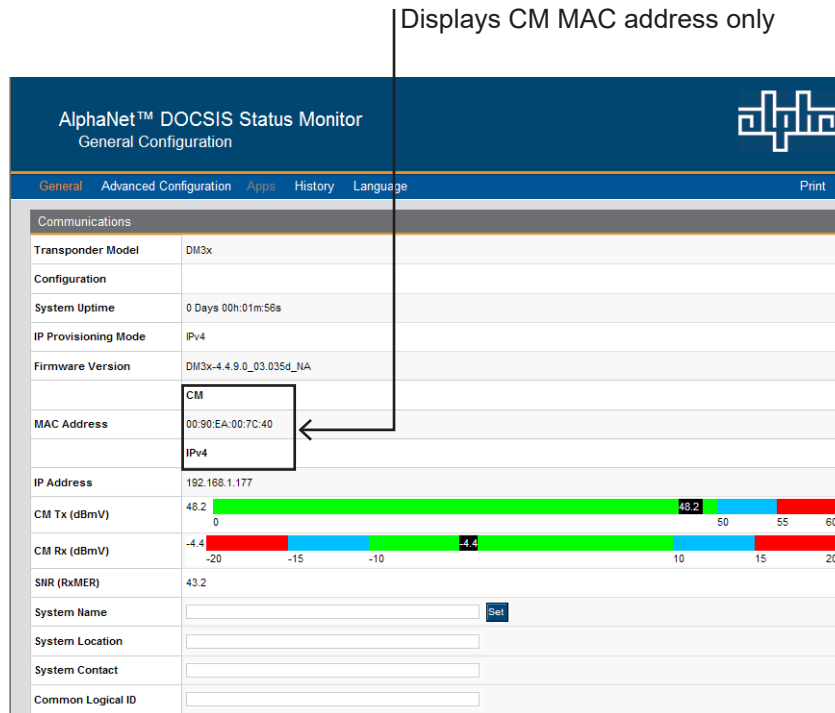


Fig. 9-8, Single IP DM3X Transponder Web Page

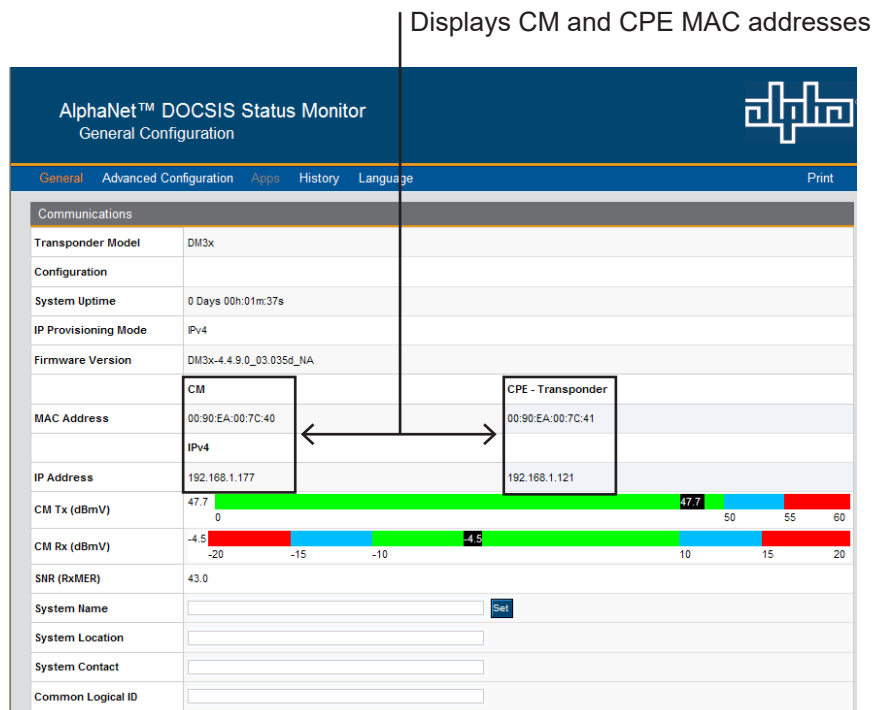


Fig. 9-9, Dual IP DM3X Transponder Web Page

9.0 Start Up and Verification, continued

9.5.3 Configuring Dual IP Mode

To switch the DM3X Transponder from Single to Dual IP mode the `atiMgmtSnmPsnmpCPEAccess` parameter of the Alpha MIB will need to be enabled. The Dual IP enable setting can be set through the DOCSIS Configuration File, the DM3.0 Setup File (`atidoc33.cfg`), the Provisioning Mode via the Communications Web page or remotely using SNMP by setting the following Alpha MIB:

Enabling Dual IP Mode			
MIB Parameter	Object ID	Description	Value
<code>atiMgmtSnmPsnmpCPEAccess</code>	1.3.6.1.4.1.926.1.3.1.3.6.0	Enables/Disables the CPE Interface	1=Disabled (Single IP) 2=Enabled (Dual IP)

Table 9-4, Enabling Dual IP Mode

The CPE Communications Module IP can be assigned its IP, Subnet Mask and Gateway Addresses either via DHCP (default) or manually, either through the web page or via the below SNMP settings:



NOTICE:

After configuring the Static settings, the Communications Module must be reset in order for the settings to take effect.

CPE Communications Module IP Settings			
MIB Parameter	Object ID	Description	Value
<code>atiMgmtSysMonitoringCpeStaticMode</code>	1.3.6.1.4.1.926.1.3.2.2.5.2.1.0	Method by which the CPE acquires its IP address.	1=DHCP 2=Static
<code>atiMgmtSysMonitoringCpeStaticAddress</code>	1.3.6.1.4.1.926.1.3.2.2.5.2.2.0	When the IP address is static, this is the IP address to which the CPE will respond.	0.0.0.0 (default)
<code>atiMgmtSysMonitoringCpeStaticMask</code>	1.3.6.1.4.1.926.1.3.2.2.5.2.3.0	When the CPE IP address is static, this is the subnet mask.	0.0.0.0 (default)
<code>atiMgmtSysMonitoringCpeStaticGateway</code>	1.3.6.1.4.1.926.1.3.2.2.5.2.4.0	When the IP address is static, this is the IP address of the gateway.	0.0.0.0 (default)

Table 9-5, CPE Communications Module IP Settings

9.0 Start Up and Verification, continued

To change the CPE IP address allocation option from DHCP to Static via the Web Server, refer to the following:

1. Connect to DM3X Transponder via Web browser per the procedure in Section 4.0, Web Interface.
2. In the Advanced Configuration menu of the Web page, click the Communications button.
3. Click the Static button in the CPE Communications Module column of the page. Refer to Figure 9-10. When prompted for User Name and Password, refer to Section 4.3.1, Web Interface Security Levels for User Name and Security Password
4. Enter the desired IP Address, Subnet Mask and Gateway in the provided data fields.
5. Click the Set button to update the Communications Module with the new values.
6. Confirm the new Static IP Address is listed under the CPE Communications Module column of the General page. Refer to Figure 9-11.

AlphaNet™ DOCSIS Status Monitor
General Configuration

General Advanced Configuration Apps History Language Print

Communications

Transponder Model	DM3x
Configuration	
System Uptime	0 Days 00h:01m:37s
IP Provisioning Mode	Pv4
Firmware Version	DM3x-1.56-03-0056-NA
CM	CPE - Transponder
MAC Address	00:90:EA:00:7C:40
MAC Address	00:90:EA:00:7C:41
IP Address	192.168.1.177
IP Address	192.168.1.121
CM Tx (dBmV)	47.7
CM Rx (dBmV)	-4.5
SNR (RxMER)	43.0
System Name	<input type="text"/> Set
System Location	<input type="text"/>
System Contact	<input type="text"/>
Common Logical ID	<input type="text"/>

Fig. 9-10, Dual IP Configuration Settings for Web Server Communications Page

AlphaNet™ DOCSIS Status Monitor
Advanced Communication Configuration

General Advanced Configuration Tools Apps History Language Print

Advanced Communication Configuration

Reset Transponder

Network Provisioning

Transponder Model	DM3x
CM	CPE - Transponder
Serial Number	007C40
Hardware Revision	2.0
Provisioning Mode	<input type="radio"/> Single IP <input checked="" type="radio"/> Dual IP
Status	Operational
System Uptime	0 Days 00h:06m:43s
IP Provisioning Mode	Pv4
Current IP Override Mode	Mdd
MAC	00:90:EA:00:7C:40
MAC	00:90:EA:00:7C:41
IP Address	192.168.1.121
Subnet Mask	255.255.255.0
Gateway	192.168.1.1
TOD Server	192.168.1.51
TFTP Server	192.168.1.51
DHCP Server	192.168.1.51

Fig. 9-11, Dual IP Parameters for Web Server General Page

9.0 Start Up and Verification, continued

atidoc33.cfg in Dual IP Mode



NOTICE:

Refer to **Section 3.3.5** for details on using the atidoc33.cfg file to propagate custom settings to field deployed DM3X Series Transponders.

In Dual IP mode, the DM3X Transponder will first attempt to download the proprietary configuration file atidoc33.cfg through the CPE's interface from a TFTP server on the CPE network. In many networks, the TFTP server is blocked or disabled, so the DM3X Transponder also has provisions to download this file through the Cable Modem interface from the modem's provisioning server if necessary. The filename and TFTP server location may also be specified through special tags in the DHCP Offer, refer to Section 9.5.3, Specifying atidoc33.cfg Name and Location via DHCP Tags for details. Similar to Single IP mode, any DM3X Transponder proprietary SNMP MIB setting may be placed in the modem's DOCSIS configuration file which would eliminate the need for atidoc33.cfg.

Changing Default atidoc33.cfg Download Settings in Dual IP Mode

The following table explains the download options available for the atidoc33.cfg file in Dual IP mode. The 'Download Interface' indicates the network from which the DM3X Transponder will attempt to download atidoc33.cfg, either the CPE network or the more secure cable modem management network.

Available Download Options				
Parameter	Comments	Value	Search Order	Download Interface
atiMgmtSysDownloadConfigAddress OID 1.3.6.1.4.1.926.1.3.2.1.10.0	Overrides Default Location	0.0.0.0 (Default)	1	CPE
DHCP Server IP	Server or Relay Agent Address from DHCP lease (No Change Necessary)	As Set	2	CPE
DHCP Option 54 Server IP	Server or Relay Agent Address from DHCP lease	As Set	3	CPE
DHCP Tags	See Section 9.5.3, Dual IP Mode	As Set	4	CPE
docsDevServerConfigTftpAddress 1.3.6.1.2.1.69.1.4.11.0	Automatically set in modem	CM's TFTP Server Address	5	CM
docsDevSwServerAddress 1.3.6.1.2.1.69.1.3.7.0	Set via DOCSIS configuration file	As Set	6	CM
Software Upgrade Server	Set via DOCSIS configuration file	As Set	7	CM

Table 9-6, Available Download Options

9.0 Start Up and Verification, continued

Specifying atidoc33.cfg name and location via DHCP Tags

In the User-defined area of the DHCP Tags, above option 192, the Communications Module will look for the following value:

Tag: [Insert Unique Tag Name, e.g. 'ati-tag']

Value: aticonfig

In the Tag value immediately following will be the value for the TFTP server to use:

Tag: [Insert Unique Tag Name, e.g. 'ati-ip']

Value: IP address of TFTP server (i.e. 192.168.1.51)

Immediately following will be the value for the config filename:

Tag: [Insert Unique Tag Name, e.g. 'ati-name']

Value: =atidoc33.cfg (an equal sign needs to be in front of the filename for the DHCP server to recognize this as a valid entry)

9.5.4 Dual IP SNMP Community Strings

The Communications Module community strings used for the CPE Communications Module in Dual IP mode can be configured by the operator. The default Communications Module read-only community string is AlphaGet. The default read-write community string is AlphaSet. These settings can be configured with the DOCSIS Configuration File, the DM3.0 Setup File (aitdoc33.cfg) or remotely using SNMP by including the parameters below:



NOTICE:

These community strings are only applicable for CPE access in Dual IP mode. CM access in both Single IP and Dual IP modes use standard DOCSIS community strings set through the modem configuration file's docsDevNmAccessTable. See **Sections 3.3.1 and 3.3.2**.

Community Strings			
MIB Parameter	Object ID	Description	Value
atiMgmtSnmpCommGet	1.3.6.1.4.1.926.1.3.1.4.1.0	Read Community String	AlphaGet (default)[desired value]
atiMgmtSnmpCommSet	1.3.6.1.4.1.926.1.3.1.4.2.0	Read-Write Community String	AlphaSet (default)[desired value]

Table 9-7, Community Strings

9.0 Start Up and Verification, continued

9.5.5 Security in Dual IP Mode

In Dual IP mode, additional SNMP security to the DM3X Transponder proprietary MIBs is required since the Communications Module and power supply data is exposed on the CPE network, which may be more vulnerable to packet sniffing and community string deciphering than on the secure cable modem network.

There are two methods of providing SNMP Security in Dual IP mode: the Data Access Key (default), and the Secure Access List.

Method 1: Dual IP Security Using the Data Access Key

In Dual IP mode `atiMgmtSnmpAlphaSetAccess` is the only SNMP parameter within the Alpha proprietary MIB with SNMP write access on the CPE network by default. When this parameter is set to the value of the parameter `atiMgmtSnmpAlphaSetKey`, the data access key, SNMP read/write access is granted to all parameters in the Alpha MIB tree with read/write attributes. When this access is granted, the value of `atiMgmtSnmpCPESetEnabled` is automatically changed to "2" (enabled). After the operator is finished setting the SNMP variables, SNMP write access can be disabled by setting the `atiMgmtSnmpCPESetEnabled` to "1" or by setting `atiMgmtSnmpAlphaSetAccess` to any value other than the data access key or by performing a reset to the DM3X Transponder.

The data access key parameters can be changed from the default values through the DOCSIS Configuration File, the DM3.0 Setup File (`atidoc33.cfg`) or remotely using SNMP by including the following Alpha MIB parameters:

Data Access Key Parameters			
MIB Parameter	Object ID	Description	Value
<code>atiMgmtSnmpAlphaSetAccess</code>	1.3.6.1.4.1.926.1.3.1.3.3.0	Set to Access Key	Set to match the value of <code>atiMgmtSnmpAlphaSetKey</code>
<code>atiMgmtSnmpAlphaSetKey</code>	1.3.6.1.4.1.926.1.3.1.3.4.0	Data Access Key (Dual IP)	CIBSET (default)
<code>atiMgmtSnmpCPESetEnabled</code>	1.3.6.1.4.1.926.1.3.1.3.5.0	Corresponds to whether or not the action taken on <code>atiMgmtSnmpAlphaSetKey</code> was successful. Once enabled, writing 1 to this variable will disable CPE sets.	1 = Disabled (False) 2 = Enabled (True)

Table 9-8, Data Access Key Parameters

9.0 Start Up and Verification, continued

Method 2: Dual IP Security Using the Secure Access List

The DM3X Transponder provides an alternative method of providing additional SNMP security in Dual IP by limiting access to the Communications Module's CPE address. The Secure Access List method limits remote SNMP access to four IP addresses. Only the IP addresses listed in the SNMP Access Table are able to read or write to the Alpha MIB parameters from the public (CPE) network. This method overrides the default Data Access Key method.

The IP address entries in the SNMP Access Table can be set through the DOCSIS Configuration File, the DM3.0 Setup File (atidoc33.cfg) or remotely using SNMP by including the following Alpha MIB parameters:

Data Access Key Parameters			
MIB Parameter	Object ID	Description	Value
atiMgmtSnmpAccessTable	1.3.6.1.4.1.926.1.3.1.2	Table of SNMP Access Addresses	Object identifier
atiMgmtSnmpAccessAddress.1	1.3.6.1.4.1.926.1.3.1.2.1.2.1	SNMP access IP Address #1	0.0.0.0 (Default)
atiMgmtSnmpAccessAddress.2	1.3.6.1.4.1.926.1.3.1.2.1.2.2	SNMP access IP Address #2	0.0.0.0 (Default)
atiMgmtSnmpAccessAddress.3	1.3.6.1.4.1.926.1.3.1.2.1.2.3	SNMP access IP Address #3	0.0.0.0 (Default)
atiMgmtSnmpAccessAddress.4	1.3.6.1.4.1.926.1.3.1.2.1.2.4	SNMP access IP Address #4	0.0.0.0 (Default)

Table 9-9, Secure Access Table Parameters

10.0 Specifications

DM3X Specifications	
Battery Monitoring (DM3X Only):	Up to four strings of 36V/48V batteries
Power System Management:	Up to five power supplies and an AlphaGen generator are managed from a single DM3X including coordinated battery charging, system test and aggregated alarms
Management Protocol:	Standard ANSI/SCTE-HMS MIBs support basic power supply monitoring. Advanced diagnostics with battery and power module analytics available via secure SNMP
Advanced Diagnostics	
Intelligent Power Supply Interface:	Power supply user interface displays advanced diagnostics including: DOCSIS modem upstream and downstream RF levels, IP address assigned by network DHCP server, MAC address and firmware versions, individual battery voltages to verify correct wire harness installation
Battery State of Health (Requires AlphaAPPs option) (DM3X Only):	Power supply internal analytic diagnostics report when batteries should be serviced. Battery String Runtime Remaining Battery Life Remaining
Network Tools	QAM Constellation Diagram: Identify types of interference and distortion in downstream RF signal. Microreflections Meter: Locate microreflections detected in Coax caused by physical impairments.
Utility Status & Events	AC Line Status Utility Performance Status (outages, sags, surges, frequency) Utility Events (24-hour and lifetime number of events)
Power Inverter State of Health:	Power supply internal diagnostics report if the power inverter requires service. Reported Values: Inverter OK, Replace Inverter
Hardware	
RF Cable Interface:	F-connector, female, 75 Ohm, connector angle better accommodates coax bend radius when installed in some enclosures
Local Interface:	RJ-45, Ethernet, multi-mode operation
LED Indicators:	Ready/Alarm, Upstream registration, Downstream lock, AlphaBus activity, RF level, Link, CPE traffic, Battery Sense harness correctly connected
I/O Control:	10-pin Molex: Digital input, Digital output, 5V, Common
AlphaBus:	RJ-11 offset tab: Multiple-power supply and AlphaGen communications
Battery Monitoring (DM3X Only):	8-pin Molex battery string A/B and 8-pin Molex battery string C/D.
Tamper:	NO or NC, software configurable, reads enclosure door magnetic switch
Environment	
Operating Temperature:	-40 to 65°C / -40 to 149°F
Storage Temperature:	-40 to 85°C / -40 to 185°F
Humidity:	10 to 90% non-condensing
Regulatory Compliance:	FCC Part 15 Class A EN 50083-2:2006 EMC requirements for CATV equipment EN 62040-2:2006 Uninterruptable power supply EMC requirements, Category C2 Surge: IEEE 587, Category B3 RoHS: Directive 2002/95/EC

* Advanced diagnostics are available through Alpha Certified network monitoring systems.

Network Communications	
DOCSIS (RF) Port Protocols:	IP (docDevNmAccess IPv4, Coexistence IPv6), UDP, TCP, DHCP, TFTP, SNMPv1,SNMPv2c, SNMPv3, HTTP, SNTP
Ethernet Port:	HTTP Web interface for local on-site diagnosis.
MIBs:	Power supply (ANSI/SCTE 38-4) Other SCTE-HMS MIBs as defined by the SCTE for power supply and generator status monitoring Alpha proprietary advanced UPS diagnostics

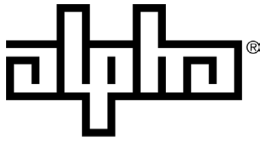
10.0 Specifications, continued

DM3X Specifications	
Power Supply Monitored Parameters	
Major Alarm:	Aggregate alarm consisting of: Test fail, battery fail, line isolation alarm, output overload, inverter, over-temperature, N+1 active, fuse fail
Minor Alarm:	Aggregate alarm consisting of: Temperature probe error, AC line loss, N+1 error
Input Voltage:	Reported from power supply V(in) measurement
Output Voltage:	Reported from power supply V(out) measurement
Output Current:	0 to 25A standard on port 1 Port 2 requires power supply DOC option
Output Power:	Calculated; reported in AC Watts
Input Current:	Reported in Amps
Input Power:	Reported in Amps
UPS Status:	AC Line, Standby, Test in progress, Test alarm
Charger Current:	Reported in Amps
Battery Discharge Current:	Reported in Amps
Enclosure Door:	Open or Closed
Battery Voltage:	Individual battery voltage, up to four strings of 3 batteries (maximum 12 batteries), ±100mV per battery.
Battery Temperature:	Reported from power supply battery Remote Temperature Sensor (RTS)
Remote Test Control:	Start/Stop power supply test cycle
Generator Monitored Parameters (DM3X Only)	
Status:	Generator Off, Running, Alarm
Generator Alarm:	Aggregate alarm consisting of: Low oil pressure, engine over-temp, engine over-speed, crank limit, over voltage, low fuel, water intrusion, pad shear, gas hazard, test fail
Gas Hazard:	OK, Alarm
Water Intrusion:	OK, Alarm
Pad Shear:	OK, Alarm
Enclosure Door:	OK, Alarm
Ignition Battery Voltage:	Reported in DC volts, ±100mV
Enclosure Temperature:	Reported in Celsius, ±2°C
Low Fuel:	OK, Alarm
Remote Test Control:	Start / Stop generator test cycle
Cable Modem	
Compliance:	DOCSIS 3.0
Transmit Frequency Range:	5 to 42 MHz
Receive Center Frequency Range:	91 to 857 MHz
Output Power Range:	Meets transmit power requirements with Multiple Transmit Channel Mode Enabled or Disabled
Input Signal Range:	-15 to 15 dBmV
Channel Bandwidth:	6 MHz
Additional Equipment	
874-842-21:	Wire Kit, Battery Sense, 1x36V, 6'
874-842-20:	Wire Kit, Battery Sense, 2x36V, 6'
874-841-21:	Wire Kit, Battery Sense, 1x48V, 6'
874-841-20:	Wire Kit, Battery Sense, 2x48V, 6'
Surge Arrestor (Alpha p/n 162-028-10):	Female/Female connector configuration, "F" type connector with integral ground block. Required for all installations

11.0 Glossary

11.1 Acronym Definitions

- ANSI: American National Standards Institute
- BER: Basic Encoding Rules [Bit error Rate]
- CM: Cable Modem
- CMTS: Cable Modem Termination System
- CPE: Customer Premises Equipment
- DHCP: Dynamic Host Configuration Protocol
- DOCSIS: Data Over Cable Service Interface Specification
- EMS: Element Management System
- EVM: Error Vector Magnitude
- HMS: Hybrid Management Sublayer
- IT: Information Technology
- MAC: Media Access Control
- MER: Modulation Error Ratio
- MIB: Management Information Base
- NMS: Network Management System
- QoS: Quality of Service
- RTS: Remote Temperature Sensor
- SCTE: Society of Cable Telecommunications Engineers
- SI: Serial Interface
- SNMP: Simple Network Management Protocol
- SNTP: Simple Network Time Protocol
- TFTP: Trivial File Transfer Protocol
- TOD: Time of Day
- UDP: User Datagram Protocol
- VoIP: Voice over Internet Protocol



an EnerSys company

Worldwide Corporate Offices

North America

Tel: +1 360 647 2360
Fax: +1 360 671 4936

Europe

Tel: +49 9122 79889 0
Fax: +49 9122 79889 21

Latin America

Tel: +561 792.9651
Fax: +561 792.7157

Asia Pacific

Tel: +852 2736.8663
Fax: +852 2199.7988

Alpha Technologies Services, Inc.
an EnerSys company

Alpha reserves the right to change specifications without notice.
Alpha is a registered trademark of Alpha Technologies.
For more information visit www.alpha.com

© 2019 Alpha Technologies Services, Inc. All Rights Reserved.
704-939-B10-001, Rev. A5 (06/2019)