

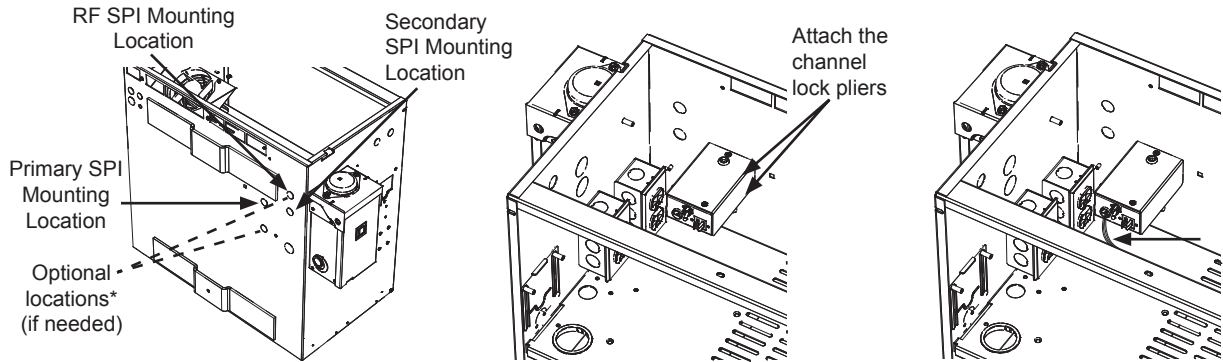
SPI Installation Instructions

Tools Required:

- Channel lock pliers
- 1" torque wrench set to 130 in/lbs

Assembly Time:

Approx. 10 minutes



**If the SPI is mounted in the location at the top of the enclosure, the SPI must be mounted vertically to allow space for other hardware.*

1. Locate opening for SPI installation. A knockout is reserved for installation of a secondary SPI (if required).
2. Hold the SPI in place using channel lock pliers while tightening the nut. Torque to 130 in/lbs.
3. Connect SPI to power supply. For wiring instructions, refer to the XM Series 2 Technical Manual, which can be downloaded at www.alpha.com.

For more information visit www.alpha.com

United States

Bellingham, Washington Tel: 360 647 2360 Fax: 360 671 4936

Canada

Burnaby, British Columbia Tel: 604 430 1476 Fax: 604 430 8908

Alpha Technologies reserves the right to make changes to the products and information contained in this document without notice.

Copyright © 2015 Alpha Technologies. All Rights Reserved. Alpha® is a registered trademark of Alpha Technologies. member of The Alpha Group™ is a trademark of Alpha Technologies. 745-997-C0-001, Rev. A1 (10/2015) To report errors in this document, send email to TechPubs@alpha.com

member of The Group™